

- Install the 1394 SERCOS interface system inside an enclosure. Run input power wiring (grounded to the enclosure) in conduit outside of the enclosure. Separate signal and power cables as shown in *Planning Your Panel Layout* of this chapter.

## Low Voltage Directive

These units are tested to meet Council Directive 73/23/EEC Low Voltage Directive. The *EN 50178-1 Electronic Equipment for Use in Power Installations* and *EN 60204-1 Safety of Machinery-Electrical Equipment of Machines, Part 1-Specification for General Requirements* standards apply in whole or in part.

Refer to *Appendix B* of this document for interconnect information.

## 1394 System Component Overview

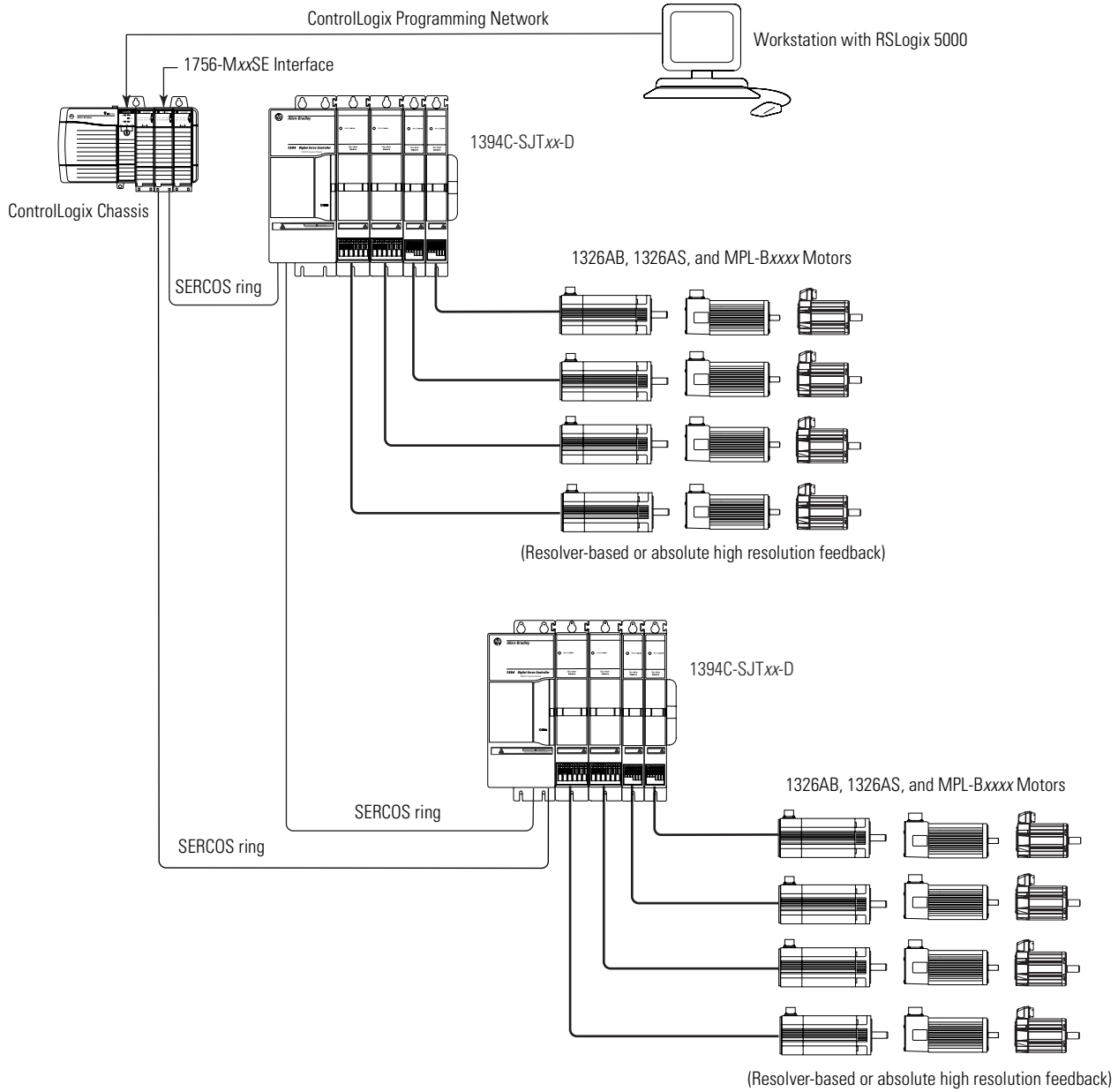
This section provides an overview of the 1394 system components and a typical installation.

1394 Component:	Catalog Numbers:	Description:
System Module	1394C-SJTxx-D	The 1394 multi-axis System Modules are available with 5, 10, or 22 kW continuous output and 360V/480V ac input power. Each system module accommodates up to four axis modules.
Axis Module	1394C-AMxx	The 1394 Axis Modules are available with 2, 3, 5, 15.6, and 23.8 kW continuous output.
ControlLogix/ SoftLogix Platforms	1756-MxxSE module 1784-PM16SE PCI card	The SERCOS interface module/PCI card serves as a link between the ControlLogix/SoftLogix platform and 1394 system. The communication link uses the IEC 61491 SErial Real-time COmmunication System (SERCOS) protocol over a fiber-optic cable.
RSLogix™ 5000 software	9324-RLD300ENE	RSLogix 5000 provides support for programming, commissioning, and maintaining the Logix family of controllers.
Servo Motors	MP-Series, 1326AB, and 1326AS servo motors	The MP-Series (low inertia) 460V, 1326AB (M2L/S2L), and 1326AB (resolver) motors are available for use with the 1394 SERCOS interface system.
Cables	Motor Power, Feedback, and Brake cables	Motor power, feedback, and brake cables include integral molded, bayonet style, quick connect/quick-release connectors at the motor. Power and brake cables have flying leads on the drive end and straight connectors that connect to servo motors. Standard feedback cables have a straight connector on the motor end and flying leads that wire to a feedback connector on the drive end.
	Fiber-Optic cables	SERCOS fiber-optic cables are available in enclosure only, PVC, nylon, and glass with connectors at both ends.
AC Line Filters	SP-74102-006-01	The SP-74102-006-01 three-phase AC line filter is suitable for 1394C-SJT05-D system modules.
	SP-74102-006-02	The SP-74102-006-02 three-phase AC line filter is suitable for 1394C-SJT10-D system modules.
	SP-74102-006-03	The SP-74102-006-03 three-phase AC line filter is suitable for 1394C-SJT22-D system modules.
External Shunt Modules	1394-SR10A	The Bulletin 1394-SR10A external passive shunt resistor is available when the 1394C-SJT05/10-D internal shunt capability is exceeded.
	1394-SR-xxxx	One Bulletin 1394 external passive shunt module is required for each 1394C-SJT22-D system module.

Note: Refer to *Appendix C* for a complete list of catalog numbers for the 1394 components listed above.

The typical 1394 SERCOS interface system installation includes the following components.

**Figure 1.1**  
**Typical 1394 SERCOS interface System Installation**



## Before Mounting Your System

Before you mount your 1394 SERCOS interface system make sure you understand the following:

- how to unpack the 1394 system and axis modules
- the system mounting requirements
- how to determine your mounting hole layout

## Unpacking Modules

Each 1394 system module ships with the following:

- One system module
- One system terminator
- One installation manual (publication 1394-IN002x-EN-P)
- Mating power connectors (5 and 10 kW only)
- Mating I/O and feedback connectors
- Cable shield grounding clamps

Each 1394 axis module ships with the following:

- One 1394 axis module
- TB1 and TB2 connectors
- Cable shield grounding clamp
- One 1394 axis module information sheet (publication 1394-5.5)

Remove all packing material, wedges, and braces from within and around the components. After unpacking, check the item(s) nameplate catalog number against the purchase order. Refer to *Appendix C* for more information on catalog numbers.