



# 16 Point Relay Interface Modules

## Modules d'interface de relais 16 points

## 16-Punkt-Schnittstellen-Relaismodule

## Moduli di interfaccia con relè a 16 punti

## Módulos de interfaz de relé (16 puntos)

(Cat 1492-XIM4024-16RF, -XIM24-16RF, -XIM2024-16RF, -XIM20120-16RF, -XIM2024-16R, -XIM20120-16R)



### WARNING

To prevent electrical shock, disconnect from power source before installing or servicing.

### AVERTISSEMENT

Avant le montage et la mise en service, couper l'alimentation secteur pour éviter toutes décharges.

### WARNUNG

Vor Installations- oder Servicearbeiten Stromversorgung unterbrechen, um Elektroschocks zu vermeiden.

### AVVERTENZA

Per prevenire infortuni, togliere tensione prima dell'installazione o manutenzione.

### ADVERTENCIA

Desconéctese de la corriente eléctrica, antes de la instalación o del servicio, a fin de impedir sacudidas eléctricas.

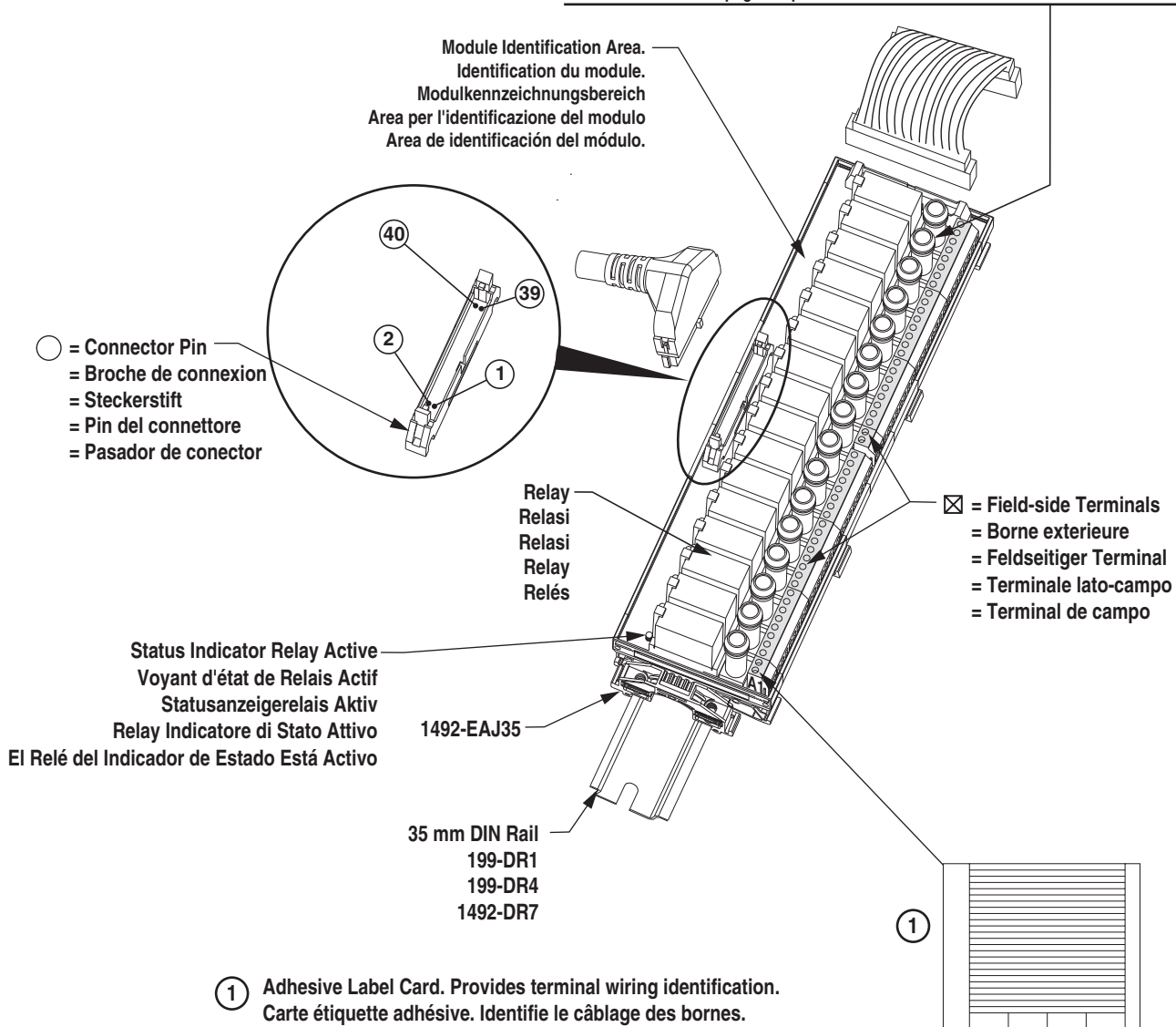
Fuse Holders : See page 4 for fuse installation/removal

Porte-fusibles : voir page 4 l'installation et le retrait des fusibles.

Sicherungshalter : Ein- und Ausbau der Sicherung siehe Seite 4

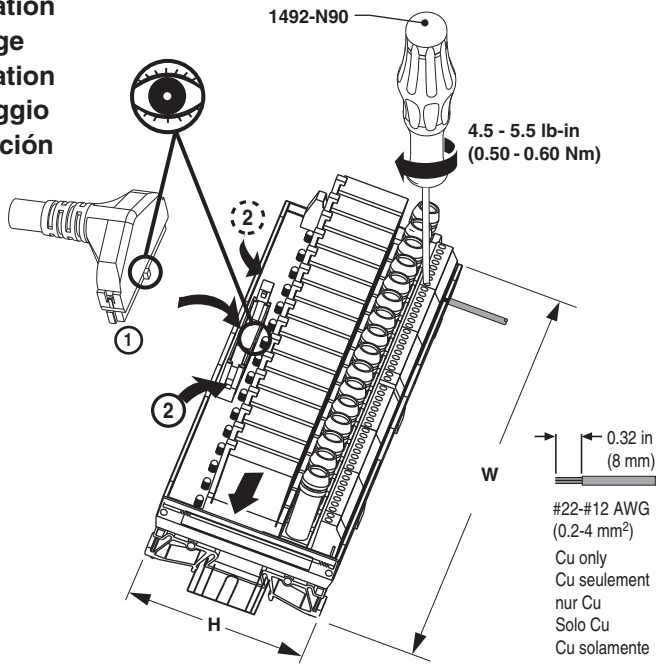
Portafusibili : vedere il montaggio/smontaggio dei fusibili a pagina 4.

Portafusibles : Vea la página 4 para obtener información sobre la instalación/extracción de fusibles.

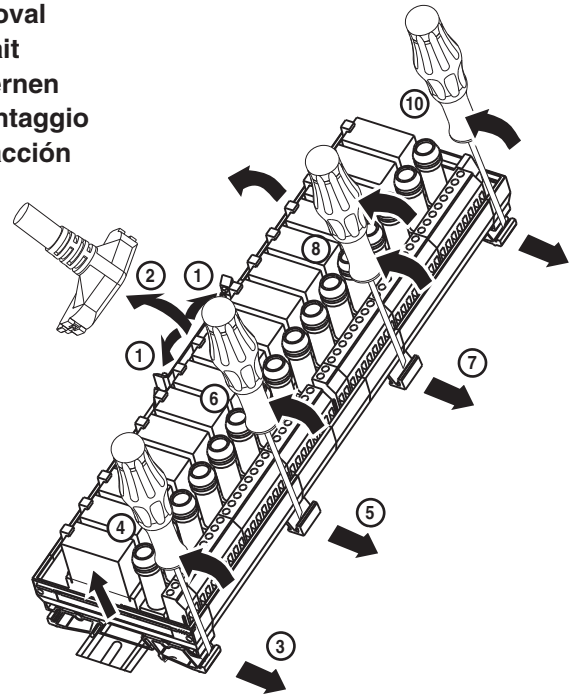


- ① Adhesive Label Card. Provides terminal wiring identification.  
 Carte étiquette adhésive. Identifie le câblage des bornes.  
 Aufklebbare Etiketten zur Kennzeichnung der Klemmenverdrahtung.  
 Scheda etichette adesive. Fornisce l'identificazione del cablaggio dei terminali.  
 Tarjeta de etiquetas adhesivas. Proporciona identificación de cableado del terminal.

**Installation  
Montage  
Installation  
Montaggio  
Instalación**



**Removal  
Retrait  
Entfernen  
Smontaggio  
Extracción**



**Cable Matrix  
Matrice des câbles  
Kabelmatrix  
Matrice cavi  
Matriz de cables**

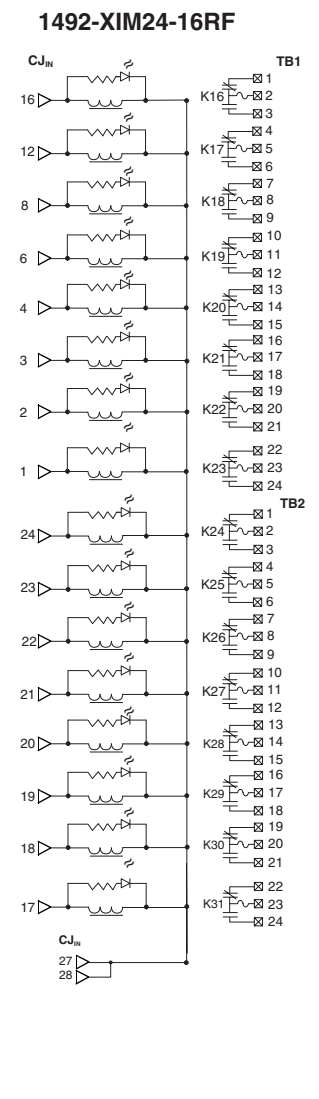
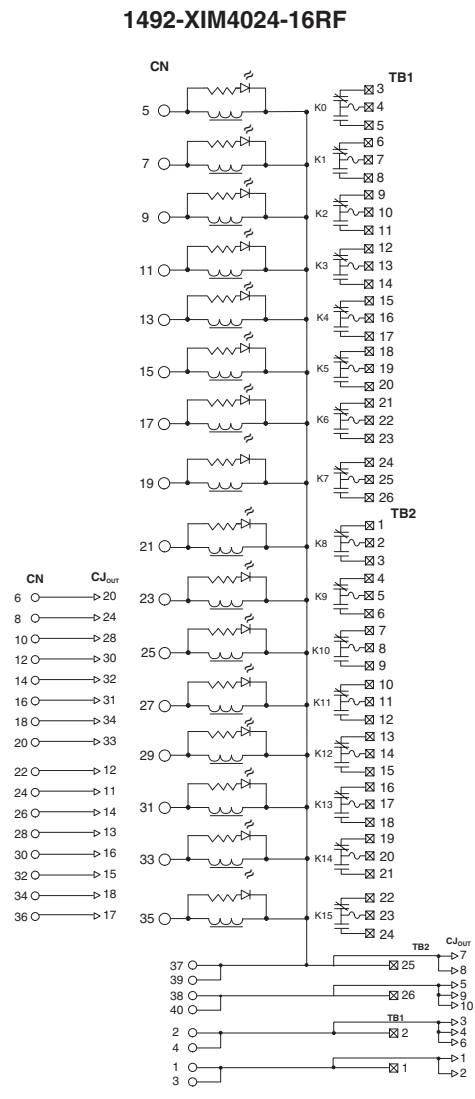
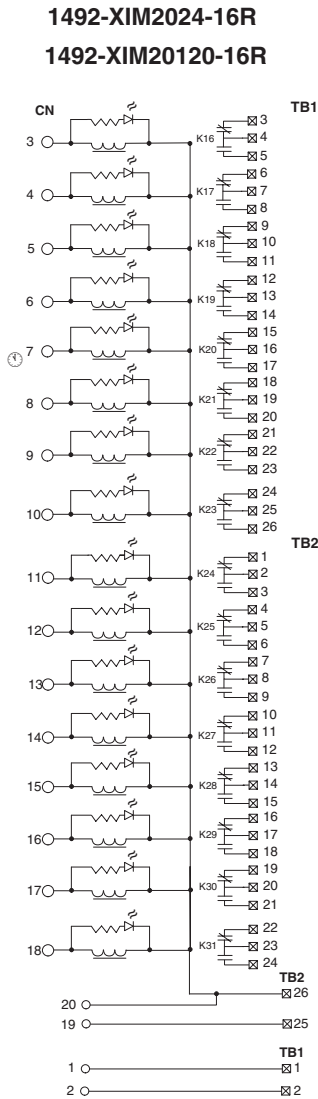
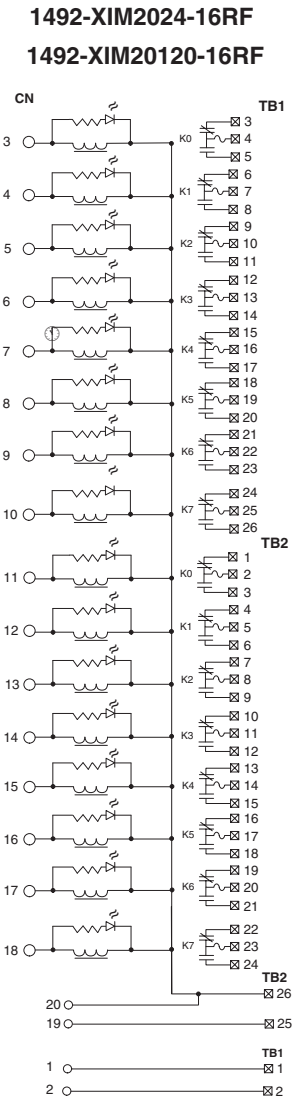
I/O Module Module E/S E/A-Modul Modulo I/O Módulo de E/S	1492-XIM2024-16R 1492-XIM2024-16RF	1492-XIM4024-16RF	1492-XIM20120-16R 1492-XIM20120-16RF	1492-XIM24-16RF
1746-OB16	1492-CABLEⓐE			
1746-OB16E	1492-CABLEⓐE			
1746-OB16P	1492-CABLEⓐE			
1756-OB16E	1492-CABLEⓐX			
1769-OB16	1492-CABⓐE69			
1769-OB32		1492-CABⓐK69		ⓑ
1769-OB32T		1492-CABLEⓐH		ⓑ
1771-OAD			1492-CABLEⓐF,FF	
1746-OA16			1492-CABLEⓐCR	
1756-OA16			1492-CABLEⓐX	
1769-OA16			1492-CABⓐM69	
1756-OB16E	1492-CABLEⓐX			
TC-ODD161	1492-HWCAB ⓐX			
TC-ODA161			1492-HWCABⓐX	
1771-OB16	1492-CABLEⓐF,FF			
1746-OB32		1492-CABLEⓐH		ⓑ
1746-OB32E		1492-CABLEⓐH		ⓑ
1756-OB32		1492-CABLEⓐZ		ⓑ
1756-OV32E		1492-CABLEⓐZ		ⓑ
TC-ODD321		1492-CABLEⓐZ		ⓑ
1771-OB16		1492-CABLEⓐL		ⓑ
1794-OB16	1492-CABⓐA94			
1794-OB16P	1492-CABⓐA94			
1794-OB32P		1492-CABⓐB94		ⓑ

- ⓐ Cables are available in 0.5m, 1.0m, 2.5m and 5.0m lengths (005=0.5m, 010=1.0m, 025 = 2.5m, 050=5.0m). Custom length cables also available. Contact local Sales Office for more information.  
Câbles disponibles en 0,5m, 1,0m, 2,5m et 5,0m de longueur (005=0,5m; 010=1,0m; 025=2,5m; 050=5,0m). Câbles sur mesure à la demande. Contactez e bureau le plus proche.  
Verfügbare Kabellängen 0,5m, 1,0m, 2,5m und 5,0m (005=0,5m; 010=1,0m; 025=2,5m; 050=5,0m). Anwenderspezifische Längen stehen ebenfalls zur Verfügung. Kontaktieren Sie bitte Ihr lokales Vertriebsbüro für weitere Informationen.  
I cavi sono disponibili in lunghezze di 0,5m, 1,0m, 2,5m e 5,0m (005=0,5m; 010=1,0m; 025=2,5m; 050=5,0m). Sono disponibili anche cavi su misura. Per ulteriori informazioni, contattare l'ufficio vendite locale.  
Cables disponibles en longitudes de 0,5m, 1,0m, 2,5m, 5,0m (005=0,5m; 010=1,0m; 025=2,5m; 050=5,0m). Hay disponibles cables de varias longitudes. Para más información comuníquese con la oficina de ventas.
- ⓑ Can have one expandable module per master.  
Possibilité d'un seul module extensible par maître.  
Kann ein erweiterbares Modul je Master aufweisen.  
Possono avere un modulo espandibile per master.  
Puede tener conectado un solo módulo expansible por cada dispositivo maestro.
- ⓒ Cable is limited for use within the control panel unless it is run through conduit. Cable is ITC (Instrumentation Tray Cable) rated.

Wiring information for your I/O module, AIFM module and cable (e.g. wiring diagram and pinouts) are available online at [www.rockwellautomation.com/en/e-tools](http://www.rockwellautomation.com/en/e-tools). To obtain information follow this procedure.

- 1) In the Catalog Number BOX at the above online site type in the catalog number of the IFM, AIFM, etc. module you are using and click on Submit.
- 2) At the next screen displayed, click on the Modify key (lower left of screen).
- 3) Click on the areas that indicate NO SELECTION and enter your specific configuration information (e.g. I/O platform, I/O MODULE, ETC.).  
NOTE: To obtain the wiring diagram, you must select th Pre-Wired Cable Connector selection.
- 4) Configure your 1492 cable by filling in the NO SELECTION areas.
- 5) Click on the ACCEPT key for the configured 1492 cable. At the next screen click on ACCEPT for the 1492 module.
- 6) The next screen (Configuration Results) displays the results of your specific configuration. The "supplementary Documents" column contains I/O wiring information for the configuration (e.g. I/O Wiring Diagrams).

**Pinout  
Brochage  
Anschlußbelegung  
Disposizione dei piedini  
Esquema de pins**



Pinout  
Brochage

Anschlußbelegung  
Disposizione dei piedini

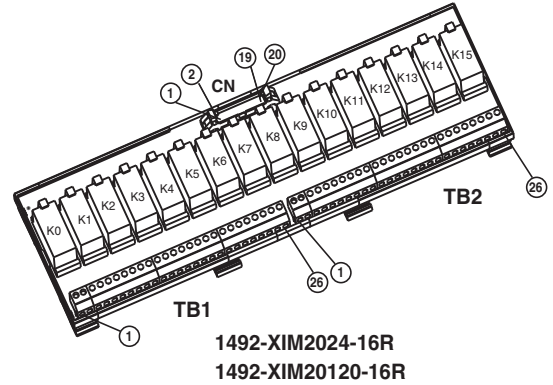
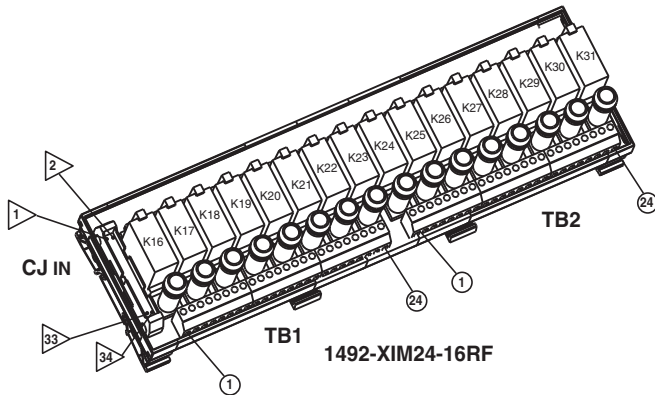
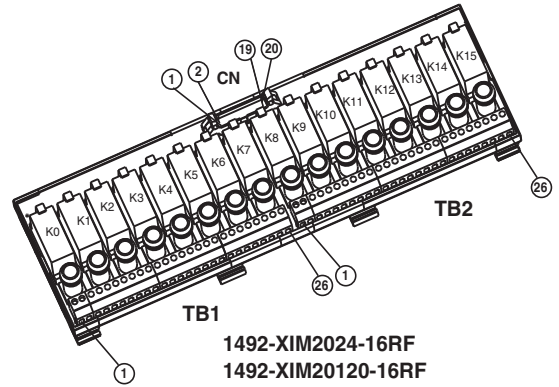
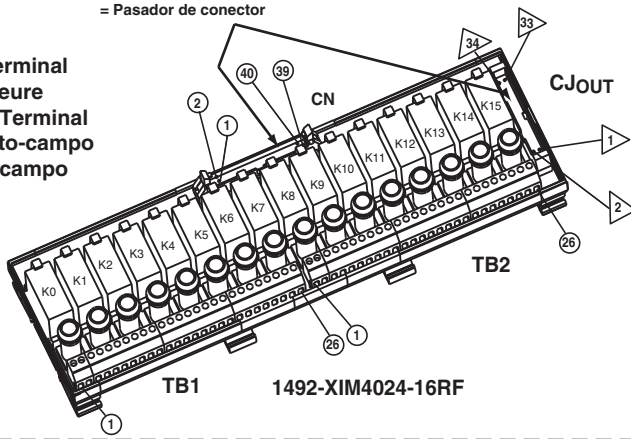
Esquema de pins

Terminal Identification Convention  
Convention d'identification des bornes  
Klemmenbezeichnungskonvention  
Convenzioni per l'identificazione dei morsetti  
Convención de identificación del terminal

CN/CJ = Connector Pin  
○/▷ = Broche de connexion  
= Steckerstift  
= Pin del conettore  
= Pasador de conector

☒ = Field-side Terminal  
= Borne extérieure  
= Feldseitiger Terminal  
= Terminale lato-campo  
= Terminal de campo

Relay  
= Relasi  
= Relasi  
= Relay  
= Relés

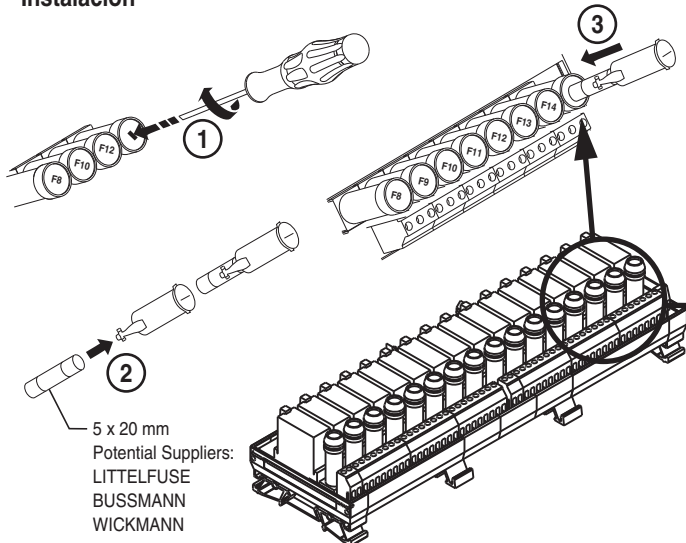


Fuse Installation / Removal  
Montage / Retrait du fusible

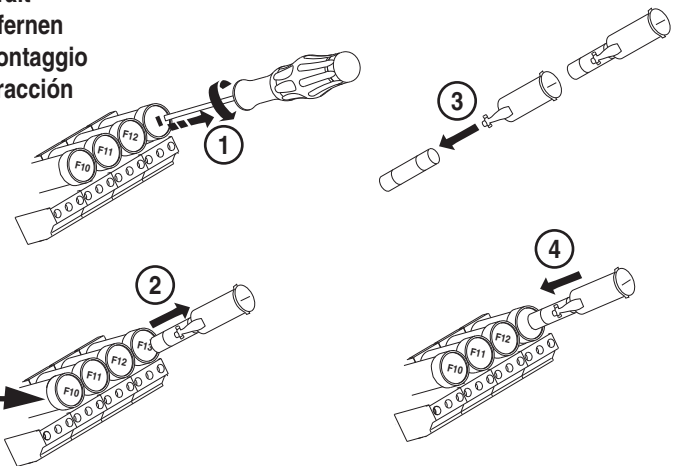
Installation / Entfernung der Sicherung  
Installazione / rimozione del fusibile

Instalación / Extracción de fusibles

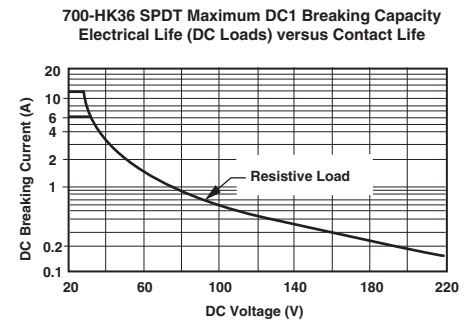
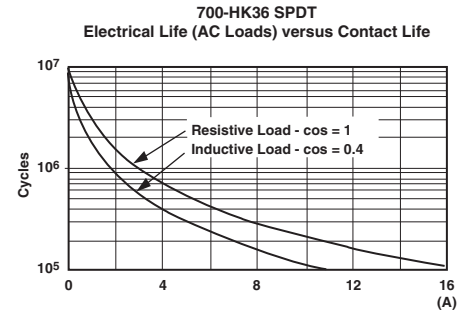
Installation  
Montage  
Installazione  
Montaggio  
Instalación



Removal  
Retrait  
Entfernen  
Smontaggio  
Extracción



Electrical Ratings			
Rated Thermal Current ( $I_{th}$ )		1-Pole, 1 CO, SPDT - 16A ③	
Rated Insulation Voltage ( $U_i$ )		250V IEC, 300V UL/CSA ③	
Contacts	Inductive VAC	120VAC	AC-15, 6.2 A B300 Pilot Duty, 3 A 1/3 HP (0.24 kW) 1-Phase
		240VAC	AC-15, 3.1 A B300 Pilot Duty, 1.5 A 3/4 HP (0.55 kW) 1-Phase
		230VAC	0.55 kW 1-Phase
	Inductive VDC	24VDC	DC-13, 5.0 A
		125VDC	DC-13, 0.2 A R300 Pilot Duty, 0.22 A
		250VDC	DC-13, 0.1 A R300 Pilot Duty, 0.11 A
Resistive	230VAC	AC-1, 16 A ③	
	277VAC	16 A General Use ③	
Make, Break and Continuous	30VDC	DC-1, 12 A 10 A, Resistive	
	Minimum Permissible Contact Ratings		300mW (5V / 60mA or 60V / 5mA) for Silver Contacts)



• When switching a resistive load (DC1) having voltage and current values under the curve, an electrical life of  $\geq 100 \times 10^3$  can be expected.

• In case of inductive loads (DC13), the connection of a diode in parallel with the load will permit a similar electrical life as for a DC1 load. Note: the release time for the load will be increased.

③ Maximum Module Current  
• 10 Amps per relay output

• Maximum continuous current per module for two adjacent relays is 12 Amps.  
Le courant permanent maximum pour deux relais adjacents est de 12 A.  
Der maximale Dauerstrom für zwei nebeneinanderliegende Relais beträgt 12 A.  
La corrente continua massima per due relè adiacenti è di 12 ampere.  
La corriente continua máxima para dos relés adyacentes es de 12 A.

④ Replacement Relays  
• 24VDC Control (Coil) Voltage: 700-HK36Z24  
• 120VAC Control (Coil) Voltage: 700-HK36A1

**Specifications**  
**Spécifications**

**Technische Daten**  
**Specifiche**

**Especificaciones**

Catalog No. Référence Bestell-Nr. N. Catalogo Referencia	Voltage Tension Spannung Tensione Voltaje	Indicator Circuit Current Courant circuit voyants Strom, Anzeigeschaltkreis Corrente circuito indicatori Intensidad del circuito de indicadores	Maximum Recurring Peak Voltage ② Tension de crele réurrente maximale Maximale periodische Hochstspannung Tensione massima di cresta ricorrente Voltaje de cresta iterativo máximo
1492-XIM4024-16RF 1492-XIM24-16RF 1492-XIM2024-16RF 1492-XIM2024-16R 1492-XIM20120-16RF 1492-XIM20120-16R	20-26 VDC    96-132 VAC	2.0 mA	600 V <sub>p</sub> ②

Catalog No. Référence Bestell-Nr. N. Catalogo Referencia	Operating Temperature Range Plage températures de fonctionnement Betriebstemperaturbereich Limiti temperatura di funzionamento Rango de temperatura de funcionamient	Operating Humidity Humidité relative Betriebsluftfeuchtigkeit Umidità di esercizio Humedad operativa	Approx. Shipping Weight Poids d'embarquement approximatif Ungefähres Versandgewicht Peso approssimativo del carico Peso aproximado al momento de embarque	Dimensions Dimensions Abmessungen Dimensioni Dimensiones	Standards Normes Standards Standard Estándares
1492-XIM4024-16RF 1492-XIM24-16RF 1492-XIM2024-16RF 1492-XIM2024-16R 1492-XIM20120-16RF 1492-XIM20120-16R	0° C - 60° C	5 - 95% ③	2.05 lb. 933 g.  2.02 lb. 916 g.	④ 11.05 in. (160 mm) W 3.27 in. (83 mm) H 2.74 in (70.5 mm) D  ④ 10.65 in. (230 mm) W 3.27 in. (83 mm) H 2.74 in (70.5 mm) D	cULus (File: E113724, Guide No.: NRAQ) CE: Compliant for all applicable directives FM Class 1 Div 2 Groups A, B, C and D Temperature Rating T3C = 60°C (J.I. 3000590, all except relay modules)

- ② For transients > 600 V<sub>p</sub> use a UL recognized suppression device rated at 2.5 kV withstand.  
Pour des transitoires > 600 V<sub>p</sub> utilisez un dispositif de suppression certifié UL à 2,5 kV nominal de tenue.  
Für Einschaltstöße > 600 V<sub>p</sub> verwenden Sie einen UL anerkannten Entstörer, der bewertet wurde bei 2,5 kV standzuhalten.  
Per transitori > 600 V<sub>p</sub> usare dispositivo di soppressione riconosciuto da UL capace di sopportare 2,5 kV.  
Para transitorios > 600 V<sub>p</sub> use un dispositivo de supresión reconocido UL clasificado con 2,5 kV.
- ③ Non-condensing  
Sans condensation  
Nicht kondensierend  
Senza condensa  
sin condensación
- ④ Add 0.39 in. to the width dimension for 1492-Rxx type modules.

**SURGE SUPPRESSION** follow the literature recommendations of the PLC module being used.  
**SUPPRESSION DES SURTENSIONS** se trouve à la suite de la littérature qui contient les recommandations relatives au module PLC utilisé.  
**ÜBERSpannungSSchutz** Bitte beachten Sie die Dokumentationsempfehlungen für das jeweils benutzte SPS-Modul.  
Per la **SOPPRESSIONE DEI PICCHI TEMPORANEI**, seguire le istruzioni riportate nella documentazione in dotazione al Modulo PLC utilizzato.  
**SUPRESIÓN DE SOBRETENSIÓN**, siga las recomendaciones indicadas en la documentación del módulo PLC respectivo.

Reference Publications: Refer to 1770-4.1 and appropriate PLC I/O module installation manual.