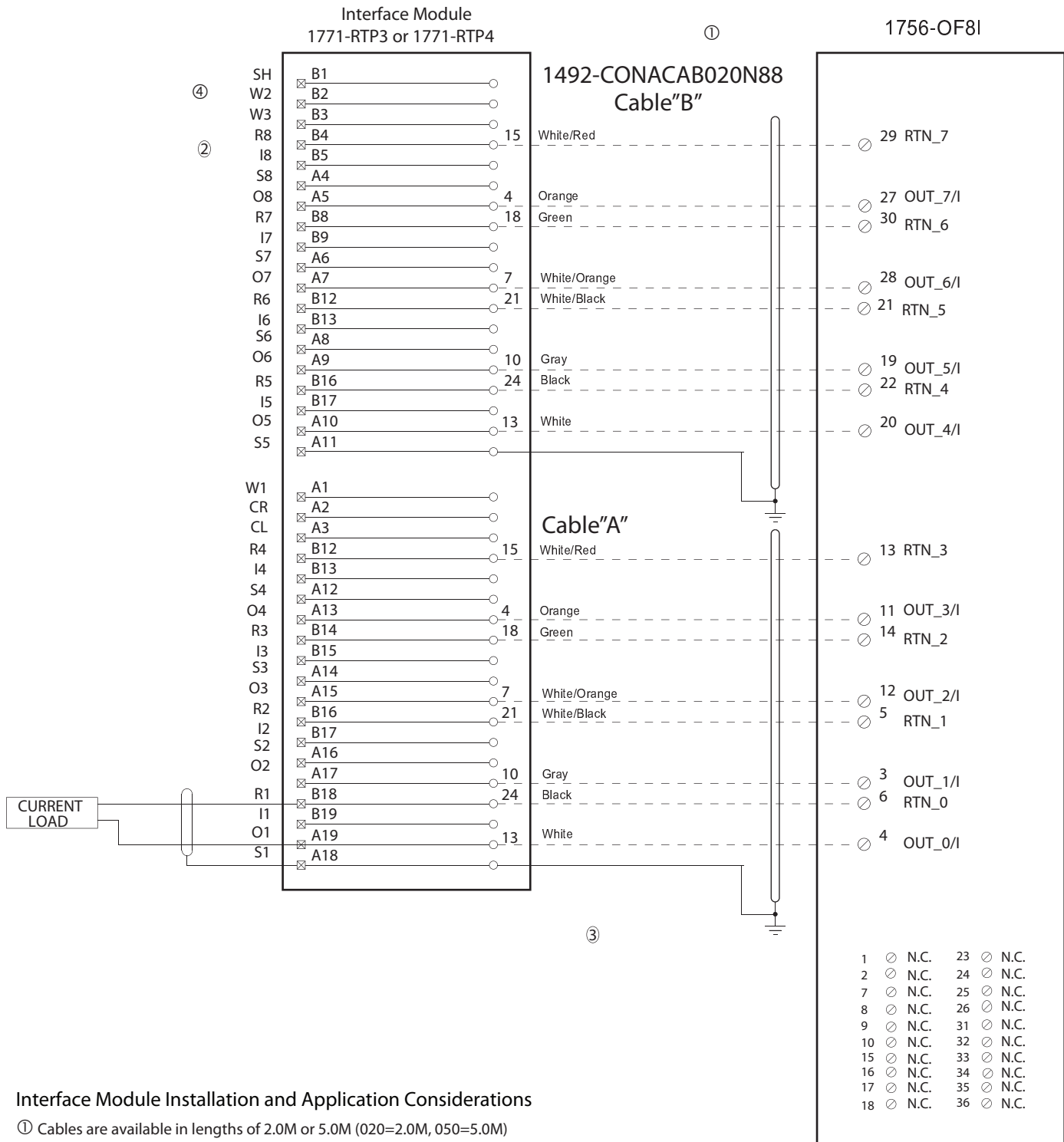




**WARNING**

There are several key application considerations and system specifications (bottom of drawing) when using these components (conversion module, cable and input module). Read and understand these considerations before installation.



**Interface Module Installation and Application Considerations**

- ① Cables are available in lengths of 2.0M or 5.0M (020=2.0M, 050=5.0M)
- ② Terminals starting with A are the lower row of terminals, B terminals are the upper row.
- ③ Follow your PLC Analog User Manual for proper shield grounding instructions.
- ④ Terminals w1, w2, w3, are spares used for field wire convenience. NOTE: This is only true for module RTP3 and RTP4. The Bul. 1492 cable does not connect to these terminals.

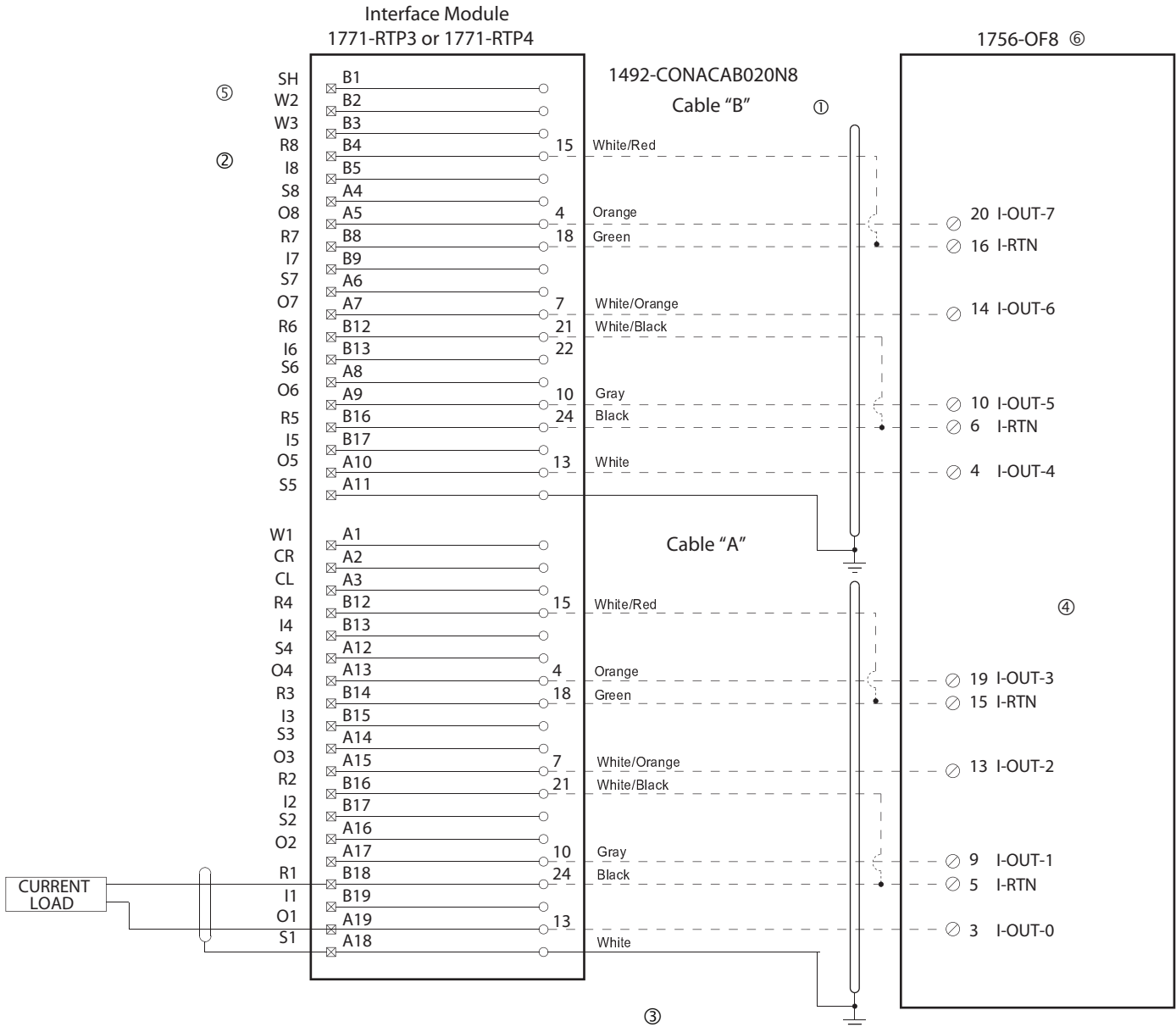
[Reference Doc: DIR 10002306650]

Conversion: 1771-NOC (1) To 1756-OF8 (1) (Current, Non-Isolated)  
Using Existing 1771-RTP3 or RTP4 Interface Module



**WARNING**

There are several key application considerations and system specifications (bottom of drawing) when using these components (conversion module, cable and input module). Read and understand these considerations before installation.



**Conversion Module Installation and Application Considerations**

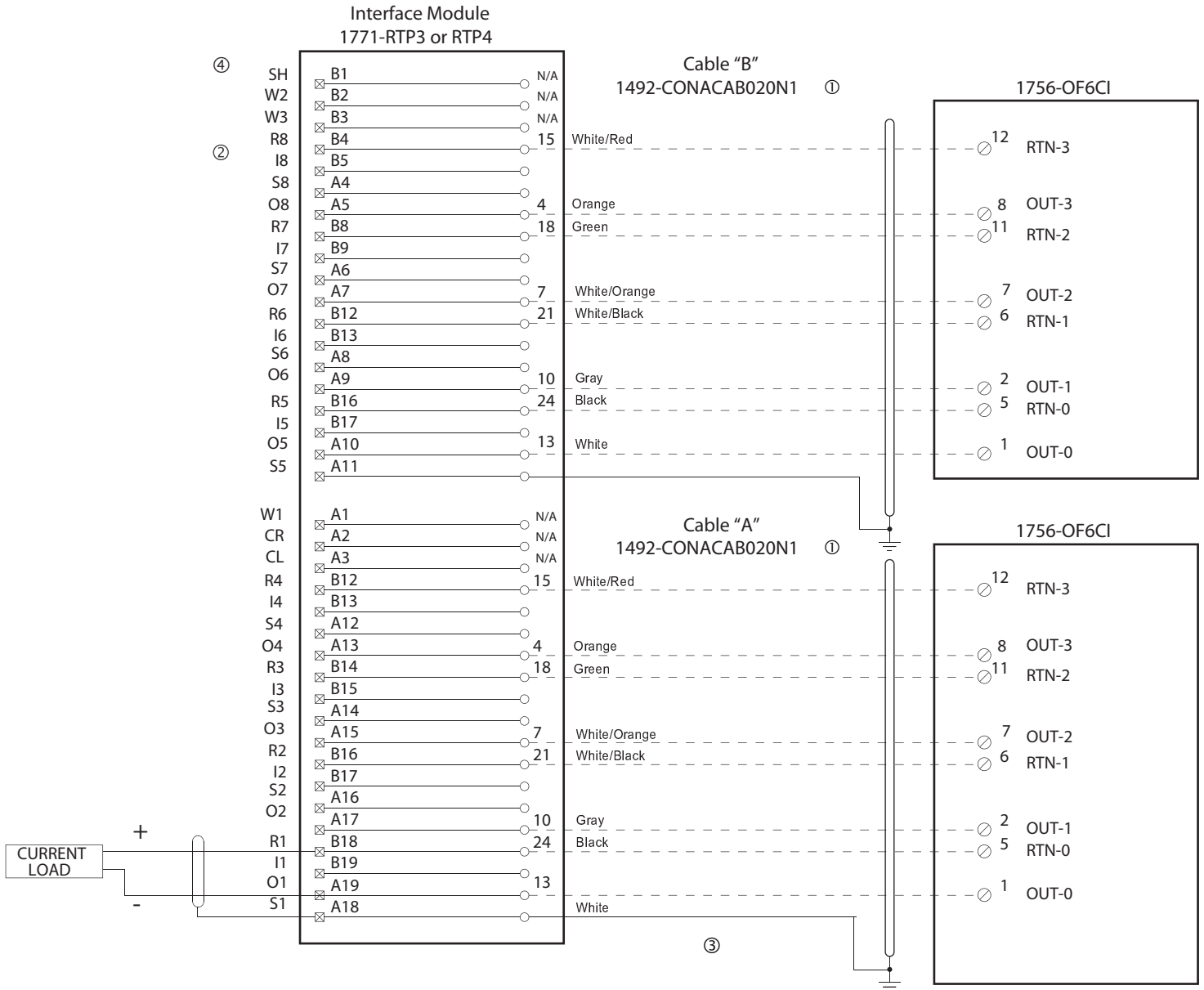
- ① Cables are available in lengths of 2.0M or 5.0M (020=2.0M, 050=5.0M)
- ② Terminals starting with A are the lower row of terminals, B terminals are the upper row.
- ③ Follow your PLC Analog User Manual for proper shield grounding instructions.
- ④ RTN terminals are internally connected on the 1756-OF8.
- ⑤ Terminals w1, w2, w3, are spares used for field wire convenience. NOTE: This is only true for module RTP3 and RTP4. The Bul. 1492 cable does not connect to these terminals.
- ⑥ The 1771-NOC module provides channel to channel isolation, the 1756-OF8 does not. A conversion from 1771-NOC to an isolated 1756-OF8I is available.

[Reference Doc: 41171-079]



**WARNING**

There are several key application considerations and system specifications (bottom of drawing) when using these components (conversion module, cable and input module). Read and understand these considerations before installation.



**Conversion Module Installation and Application Considerations**

- ① Cables are available in lengths of 2.0M or 5.0M (020=2.0M, 050=5.0M)
- ② Terminals starting with A are the lower row of terminals, B terminals are the upper row.
- ③ Follow your PLC Analog User Manual for proper shield grounding instructions.
- ④ Terminals w1, w2, w3, are spares used for field wire convenience. NOTE: This is only true for modules RTP3 and RTP4. The Bul. 1492 cable does not connect to these terminals.

[Reference Doc: 41171-072]