

For specific information that the above norm requires, see the appropriate sections in this manual, as well as the following Allen-Bradley publications:

- Industrial Automation Wiring and Grounding Guidelines for Noise Immunity, publication 1770-4.1
- Guidelines for Handling Lithium Batteries, publication AG-5.4

Open style devices must be provided with environmental and safety protection by proper mounting in enclosures designed for specific application conditions. See NEMA Standards publication 250 and IEC publication 529, as applicable, for explanations of the degrees of protection provided by different types of enclosure.

Power Requirements

Your module receives its power through the 1771 I/O chassis backplane from the chassis power supply. The module requires 700mA from the output of this supply. Add this to the requirements of all other modules in the I/O chassis to prevent overloading the chassis backplane and/or chassis power supply.

Initial Handling

The ac output module is shipped in a static-shielded bag to guard against electrostatic discharge damage. Observe the following precautions when handling the module.

Electrostatic Discharge Damage



ATTENTION: Under some conditions, electrostatic discharge can degrade performance or damage the module. Observe the following precautions to guard against electrostatic damage.

- Wear an approved wrist strap grounding device, or touch a grounded object to discharge yourself before handling the module.
- Do not touch the backplane connector or connector pins.
- If you configure or replace internal components, do not touch other circuit components inside the module. If available, use a static-free work station.
- When not in use, keep the module in a static-shielded bag.

Installing Your Module

In this section we tell you how to set the module fault mode, key your I/O chassis, install your module and make your wiring connections.

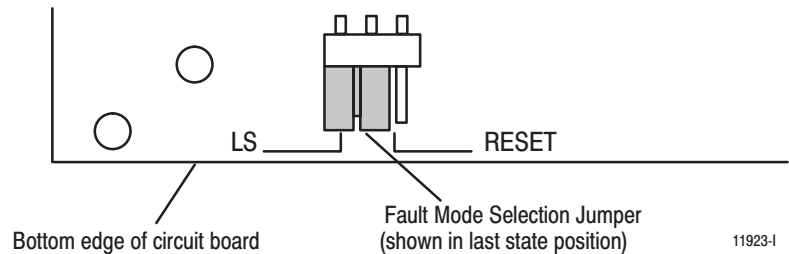
Setting the Module Fault Mode

You may select one of two output-failure configurations (last state or reset) by positioning a selection jumper on the bottom edge of the printed circuit board. The setting of this selection jumper determines how the module presents its outputs in the event of an internal module fault. With processor-to-I/O module communication faults, the position of the last state switch on the I/O chassis backplane controls the outputs.

To set the fault mode selection, proceed as follows:

13. Locate the fault mode selection jumper at the bottom edge of the module circuit board.
14. Using your finger, slide the jumper off the 2 posts.
15. Carefully position the jumper on 2 of the 3 posts that correspond to your requirement.

Fault Mode Selection Jumper



Jumper Setting	Description
Reset (RESET)	Module resets its outputs (Default setting).
Last State (LS)	Module holds outputs in state they were in when module faulted.

Keying Your I/O Chassis

Use the plastic keying bands, shipped with each I/O chassis, to key the I/O slots to accept only this type of module.

The module circuit board is slotted in two places on the rear edge. The position of the keying bands on the backplane connector must correspond to these slots to allow insertion of the module. You can key any connector in an I/O chassis to receive this module except for the left-most connector reserved for adapter or processor modules. Place keying bands between the following numbers labeled on the backplane connector:

- Between 2 and 4
- Between 6 and 8

You can change the position of these keys if system redesign and rewiring makes insertion of a different module necessary.

Installing the Output Module

To install the ac output module in your 1771 I/O chassis, follow the steps listed below.



ATTENTION: Remove power from the 1771 I/O chassis backplane and wiring arm before removing or installing an I/O module.

- Failure to remove power from the backplane or wiring arm could cause module damage, degradation of performance, or injury.
 - Failure to remove power from the backplane could cause injury or equipment damage due to possible unexpected operation.
-

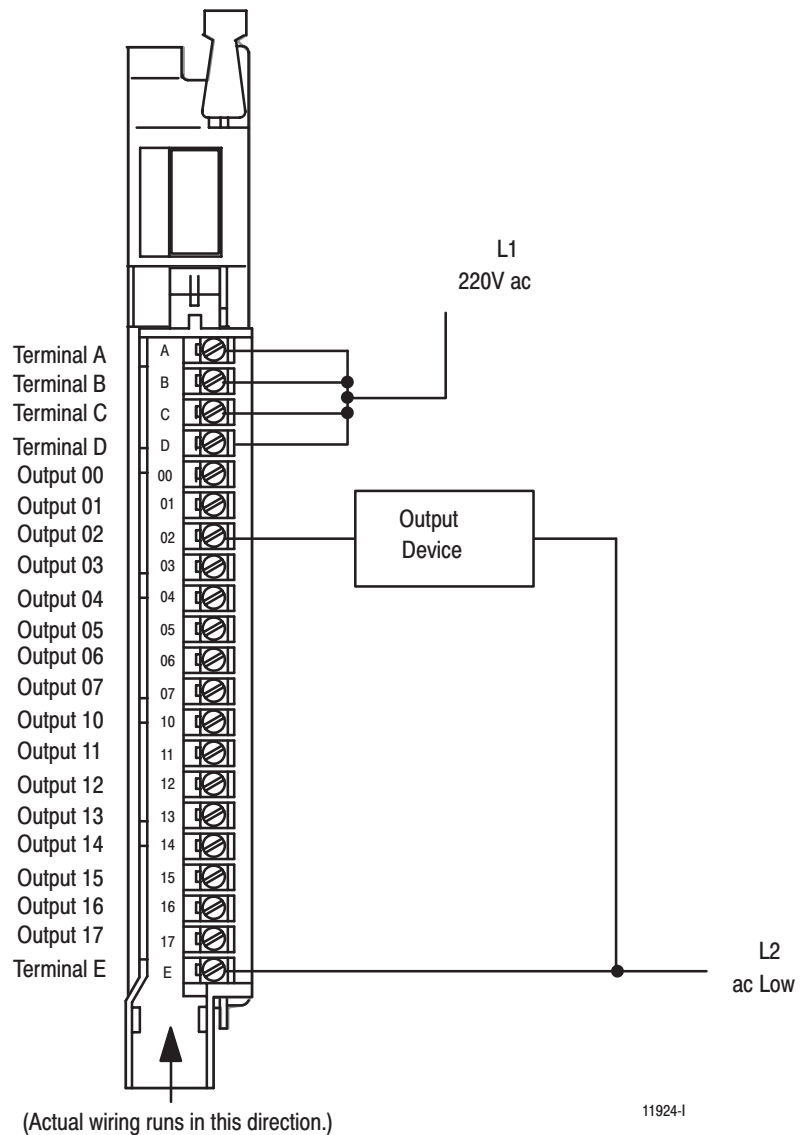
1. Turn off power to the I/O chassis.
2. Position the module so that the circuit board on the rear of the module lines up with the top and bottom card guides in the chassis.
3. Do not force the module into its backplane connector. Apply firm, even pressure on the module to seat it properly.
4. Snap the chassis latch over the top of the module to secure its position.
5. Connect the wiring arm to the module.
6. Make wiring connections to the field wiring arm as indicated in “Connecting Wiring to the Output Module.”

Connecting Wiring to the Output Module

Connections to the output module are made to the 21-terminal field wiring arm (cat. no. 1771-WH) shipped with the module. Attach the wiring arm to the pivot bar on the bottom of the I/O chassis. The wiring arm pivots upward and connects with the module so you can install or remove the module without disconnecting the wires.

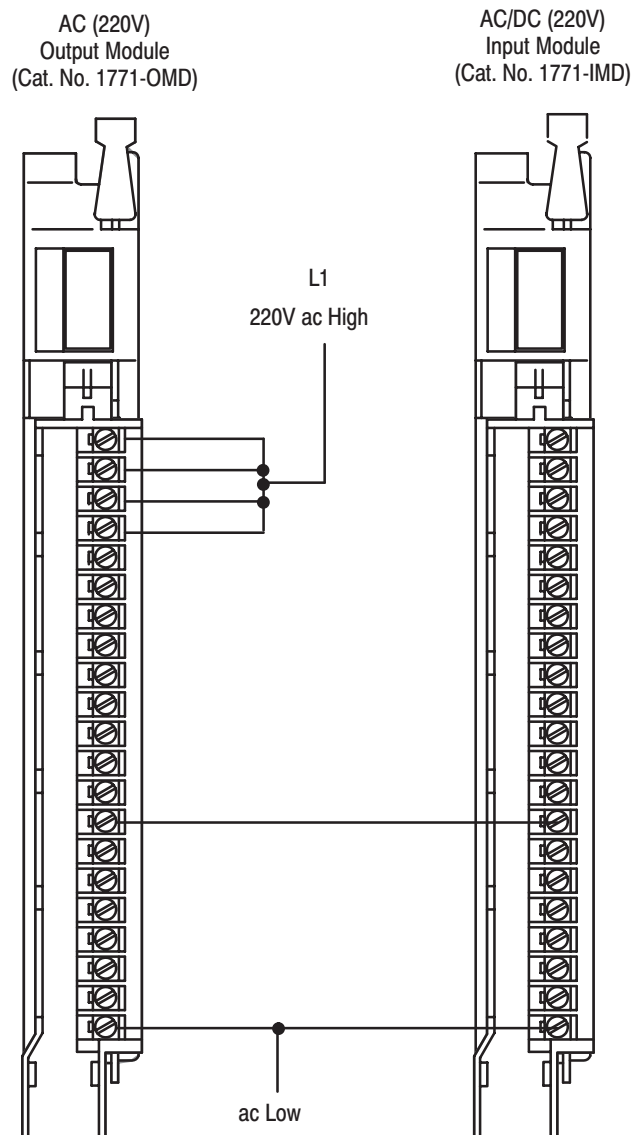
You must supply ac (L1) at terminals A through D on the wiring arm. You need four ac connections to accommodate the total required surge rating on the module without overstressing any single connection on the field wiring arm. Jumper all ac (L1) connections together to prevent module damage.

1771-OMD/B Connection Diagram



Important: You can use an AC (220V) Output Module (cat. no. 1771-OMD) to directly drive terminals on an AC/DC (220V) Input Module (cat. no. 1771-IMD). You can also use a 1771-OMD Output module to drive an AC/DC (220V) Input Module (cat. no. 1771-IM) but you must connect a 10K ohm, 10W resistor between the output terminal and L2 (common) as shown below. **Use the same ac power source to power both modules to ensure proper phasing and prevent module damage.**

Driving a 1771-IMD Module with a 1771-OMD Module



11925-1