

# General Specifications

## FIO System Overview (for AFV10□)



GS 33P06Q01-31E

### ■ GENERAL

The FIO is an I/O system that is connected to a control station via an ESB bus.

FIO is an I/O system connected to a control station via an ESB bus, consisting of two types of node units on two types of buses: node units on an ESB bus referred to as local nodes, and those on an ER bus referred to as remote nodes. Each of these nodes is composed of a base unit, power supply module, bus interface module, and input/output modules. Power supply module, bus interface module, and input/output modules can be configured redundantly.

An example of system configuration is shown below.

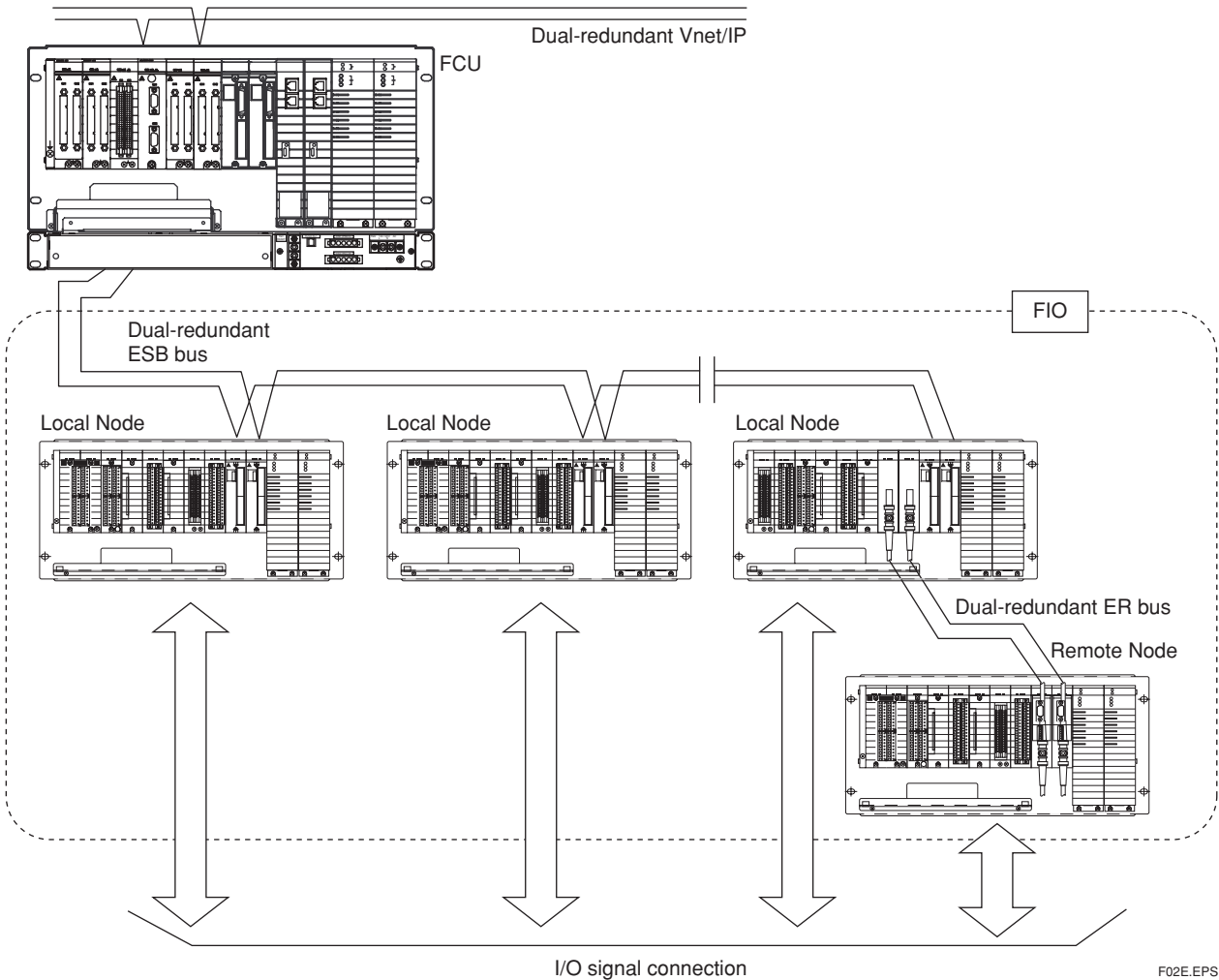


Figure System Configuration

F02E.EPS

## COMMON SPECIFICATIONS

### ● Installation Environment

Item		Specification
Ambient temperature	When operating	0 to 50°C (Local Node, Compact Field Control Unit (for FIO)) 0 to 60°C (Remote Node Standard) (-20 to 70°C temperature option for Remote Node) (*1)
	When transporting/storing	-20 to 60°C (avoid direct sunlight.) (-40 to 85°C temperature option for Remote Node, avoid direct sunlight)
Ambient humidity	When operating	5 to 95% RH (should have no condensation.)
	When transporting/storing	5 to 95% RH (should have no condensation.)
Temperature change rate	When operating	Within ±10°C/h
	When transporting/storing	Within ±20°C/h
Power supply	Voltage range	100 to 120 V AC ±10%
		220 to 240 V AC ±10%
		24 V DC ±10%
	Frequency	50/60 ±3 Hz
	Distortion factor	10% or less
	Peak value	125 V or more (100 V system)
		274 V or more (220 V system)
Instantaneous power failure	20 ms or less (when receiving rated AC voltage)	
DC power supply ripple rate	1% p-p or less	
Grounding	100 ohms or less, Independent grounding	
Dust	0.3 mg/m <sup>3</sup> or less	
Corrosive gas	ANSI/ISA S71.04 G2 (standard) (ANSI/ISA S71.04 G3 option)	
Vibration	Continuous vibration	Displacement amplitude 0.25 mm or less (1 to 14 Hz) Acceleration 2.0 m/s <sup>2</sup> or less (14 to 100 Hz)
	Earthquake	Acceleration 4.9 m/s <sup>2</sup> or less
	Transport vibration	Horizontal 4.9 m/s <sup>2</sup> or less, vertical 9.8 m/s <sup>2</sup> or less (packed state)
Shock	Transport shock	Horizontal 49.0 m/s <sup>2</sup> , vertical 98.0 m/s <sup>2</sup> (packed state)
Noise	Electric field	3 V/m or less (26 MHz to 1 GHz)
	Magnetic field	30 A/m (AC), 400 A/m (DC) or less
	Static electricity	4 kV or less (contact discharge), 8 kV or less (aerial discharge)
Altitude	2000 m or less	

\*1: When a remote node is used under the temperature environment (-20 to 0 °C), it requires 10 minutes to start up EB501 after turning on the power switch.  
When a module such as AAP149, ADV161, ADV561, ADV859, ADV159, ADV559, ADV869, ADV169 and ADV569 is installed in a remote node, the ambient temperature should be 0 to 50 °C.

T01E.EPS

Note: Follow the environmental condition if a remote node is placed in a remote place near the field.

● **ESB bus**

**Application**

A remote input/output communication bus used in a standard FCS for FIO. The ESB bus connects the processing unit of a FCS to local node units.

**Communication Specifications**

Type of Equipment	Local Node Units Connected per FCU	Total Number of Local and Remote Node Units Connected per FCU
Control Function for Basic Field Control Unit (for FIO, for Vnet/IP) (*1)	Max. 3/FCU	Max. 3/FCU
Control Function for Basic Field Control Unit (for FIO, for Vnet/IP) + Application Capacity Expansion Package (for AFV10□)	Max. 9/FCU	Max. 14/FCU

T17E.EPS

\*1: If local and remote node units are used, install ESB Bus Coupler Module (EC401) in slot 7th and 8th.

**Transmission Path Specifications**

- Network Topology: Bus type
- Transmission Path Redundancy: Available
- Transmission Speed: 128 megabits per second
- Transmission Cable: Dedicated cable (YCB301)
- Transmission Distance: Max. 10m

● **ER bus**

**Application**

An input/output communication bus used in a standard FCS for FIO. The ER bus connects local nodes or Compact Field Control Unit for FIO to remote nodes.

**Communication Specifications**

Type of Equipment	Remote Node Units Connected per FCU	Total Number of Local and Remote Node Units Connected per FCU
Control Function for Basic Field Control Unit (for FIO, for Vnet/IP) (*1)	Max. 3/FCU	Max. 3/FCU
Control Function for Basic Field Control Unit (for FIO, for Vnet/IP) + Application Capacity Expansion Package (for AFV10□)	Max. 14/FCU (*1)	Max. 14/FCU (*1)

T18E.EPS

\*1: Up to 8 remote nodes per ER bus can be connected.

Note: Number of ER bus: Max. 4 per FCU

**Transmission Path Specifications**

- Network Topology: Bus type
- Transmission Path Redundancy: Available
- Transmission Speed: 10 megabits per second
- Transmission Cable: Coaxial cable (YCB141, YCB311). Use YCB147/YCB149 Bus Adapter Unit to connect a YCB141 cable to a YCB311 cable.
- Transmission Distance:
  - Max. 185m (for YCB141): Extendable to 2 km when using Ethernet repeaters (total transmission distance must be 2370 m or shorter). (\*1)
  - Can use 2 (a set of) Ethernet repeaters per ER bus train.
- When mixing YCB141 and YCB311: Length of YCB141 + (185/500) x Length of YCB311 ≤ 185
- Number of Bus Adapter Units: Max. 4 per segment (\*2)

\*1: General-purpose Ethernet repeater can be installed in only non-hazardous areas.

\*2: When an ER bus is connected with a repeater, one segment means the area between repeaters.

---

● **Regulatory Compliance**

For the detailed information of following standards, see Integrated Production Control System CENTUM CS 3000 System Overview (GS 33Q01B10-31E).

**Safety Standards**

- [CSA] (for 100-120 V AC and 24 V DC power supply)
- [CE Mark] (for 220-240 V AC and 24 V DC power supply)

**EMC Conformity Standards**

- [CE Mark] (for 220-240 V AC and 24 V DC power supply)
- [C-Tick Mark] (for 220-240V AC and 24 V DC power supply)

**Standards for Hazardous Location Equipment**

- [Non-Incendive] (remote node only, for 100-120 V AC and 24 V DC power supply)
- [Type n] (remote node only, for 24 V DC power supply)
- [Intrinsic safety] (I/O Module with built-in barrier)

## STANDARD SPECIFICATIONS

### ● Node Units

Power Supply Modules, either ESB Bus Interface Modules or ER Bus Interface Modules, and I/O Modules (FIO) are installed in a Node Unit.

The following types of Node Units are available, depending on the configuration, being either single/dual-redundant bus or Local/Remote:

- ANB10S: Node Unit for Single ESB Bus (Rack Mounting)
- ANB10D: Node Unit for Dual-Redundant ESB Bus (Rack Mounting)
- ANR10S: Node Unit for Single ER Bus (Rack Mounting)
- ANR10D: Node Unit for Dual-Redundant ER Bus (Rack Mounting)

For more details, refer to GS 33Q06Q10-31E (Node Units (for FIO)).



F03E.EPS

### ● Field Control Unit for FIO

The following types of Field Control Unit for FIO are available.

- AFV10S: Field Control Unit (for Vnet/IP, for FIO, 19-inch rack mountable)
- AFV10D: Duplexed Field Control Unit (for Vnet/IP, for FIO, 19-inch rack mountable)

For more detail, refer to GS 33P06C10-31E.

### ● I/O Modules

The I/O Modules include Analog I/O Modules, Digital I/O Modules and Communication Modules. There are several types of Analog I/O Modules, including the isolated channel type, isolated type and non-isolated type.

In addition, to enable replacements from CENTUM V, CENTUM-XL and  $\mu$ XL compatible modules are provided so that the cable from the Signal Conditioner can be connected to these compatible modules.

For the I/O Modules, the environment-proof support (temperature environment support, G3 support) options can be specified.

The I/O Module to be installed in remote node is Non-Incendive product. For details, refer to TI 33Q01J30-01E (Explosion Protection).

Table Availability of I/O Modules to Be Installed in Node Units (Part 1)

Model name	Name	ANB10S ANB10D AFV10S AFV10D	ANR10S ANR10D	Availability for dual-redundant configuration	Temperature environment support, G3 support	Explosion protection	
						NI (Non-Incendive Product)	Type n
—	<b>Analog I/O Modules</b>						
AAI141	Analog Input Module (4 to 20 mA, 16-Channel, Non-Isolated)	✓	✓	✓	✓	✓	✓
AAV141	Analog Input Module (1 to 5 V, 16-Channel, Non-Isolated)	✓	✓	✓	✓	✓	✓
AAV142	Analog Input Module (-10 to 10V, 16-Channel, Non-Isolated)	✓	✓	✓	✓	✓	✓
AAI841	Analog I/O Module (4 to 20 mA Input, 4 to 20 mA Output, 8-Channel Input/8-Channel Output, Non-Isolated)	✓	✓	✓	✓	✓	✓
AAB841	Analog I/O Module (1 to 5 V Input, 4 to 20 mA Output, 8-Channel Input/8-Channel Output, Non-Isolated)	✓	✓	✓	✓	✓	✓
AAV542	Analog Output Module (-10 to 10V, 16-Channel, Non-Isolated)	✓	✓	✓	✓	✓	✓
AAI143	Analog Input Module (4 to 20 mA, 16-Channel, Isolated)	✓	✓	✓	✓	✓	✓
AAI543	Analog Output Module (4 to 20 mA, 16-Channel, Isolated)	✓	✓	✓	✓	✓	✓
AAV144	Analog Input Module (-10 to 10V, 16-Channel, Isolated)	✓	✓	✓	✓	✓	✓
AAV544	Analog Output Module (-10 to 10V, 16-Channel, Isolated)	✓	✓	✓	✓	✓	✓
AAT141	TC/mV Input Module (TC: R, J, K, E, T, B, S, N/mV: -100 to 150 mV, 16-Channel, Isolated)	✓	✓	✓	✓	✓	✓
AAR181	RTD Input Module (RTD: Pt100 Ω, 12-Channel, Isolated)	✓	✓	✓	✓	✓	✓
AAI135	Analog Input Module (4 to 20 mA, 8-Channel, Isolated Channels)	✓	✓	✓	✓	✓	✓
AAI835	Analog I/O Module (4 to 20 mA, 4-Channel Input/4-Channel Output, Isolated Channels)	✓	✓	✓	✓	✓	✓
AAT145	TC/mV Input Module (TC: R, J, K, E, T, B, S, N/mV: -100 to 150 mV, 16-Channel, Isolated Channels)	✓	✓	✓	✓	✓	✓
AAR145	RTD/POT Input Module (RTD: Pt100 Ω/POT: 0 to 10 kΩ, 16-Channel, Isolated Channels)	✓	✓	✓	✓	✓	✓
AAP135	Pulse Input Module (8-Channel, Pulse Count, 0 to 10 kHz, Isolated Channels)	✓	✓	✓	✓	✓	✓
AAP149	Pulse Input Module for compatible PM1 (16-Channel, Pulse Count, 0 to 6 kHz, Non-Isolated)	✓	✓	—	✓ (G3 only)	—	—
AAP849	Pulse Input/Analog Output Module for compatible PAC (Pulse Count, 4 to 20 mA, 8-Channel Input/8-Channel Output, Non-Isolated)	✓	✓	✓	✓ (G3 only)	—	—
—	<b>Digital I/O Modules</b>						
ADV151	Digital Input Module (32-Channel, 24 V DC, Isolated)	✓	✓	✓	✓	✓	✓
ADV551	Digital Output Module (32-Channel, 24 V DC, Isolated)	✓	✓	✓	✓	✓	✓
ADV141	Digital Input Module (16-Channel, 100 V AC, Isolated)	✓	✓	✓	✓	✓	—
ADV142	Digital Input Module (16-Channel, 220 V AC, Isolated)	✓	✓	✓	✓	—	—
ADV157	Digital Input Module (32-Channel, 24 V DC, Pressure Clamp Terminal Support Only, Isolated)	✓	✓	—	✓ (G3 only)	✓	✓
ADV557	Digital Output Module (32-Channel, 24 V DC, Pressure Clamp Terminal Support Only, Isolated)	✓	✓	—	✓ (G3 only)	✓	✓
ADV161	Digital Input Module (64-Channel, 24 V DC, Isolated)	✓	✓	✓	✓ (G3 only)	✓	✓
ADV561	Digital Output Module (64-Channel, 24 V DC, Isolated)	✓	✓	✓	✓ (G3 only)	✓	✓
ADR541	Relay Output Module (16-Channel, 24 to 110 V DC/100 to 240 V AC, Isolated)	✓	✓	✓	✓	✓	✓

✓: Available.  
—: Not available.

T02E.EPS

Table Availability of I/O Modules to Be Installed in Node Units (Part 2)

Model name	Name	ANB10S	ANR10S	Availability for dual-redundant configuration	Temperature environment support, G3 support	Explosion protection	
		ANB10D AFV10S AFV10D	ANR10D			NI (Non-Incendive Product)	Type n
<b>Digital I/O Modules (ST Compatible)</b>							
ADV859	Digital I/O Module for Compatible ST2 (16-Channel Input/16-Channel Output, Isolated Channels)	✓	✓	—	✓ (G3 only)	—	—
ADV159	Digital Input Module for Compatible ST3 (32-Channel Input, Isolated Channels)	✓	✓	—	✓ (G3 only)	—	—
ADV559	Digital Output Module for Compatible ST4 (32-Channel Output, Isolated Channels)	✓	✓	—	✓ (G3 only)	—	—
ADV869	Digital I/O Module for Compatible ST5 (32-Channel Input/32-Channel Output, Isolated, Common Minus Side Every 16-Channel)	✓	✓	—	✓ (G3 only)	—	—
ADV169	Digital Input Module for Compatible ST6 (64-Channel Input, Isolated, Common Minus Side Every 16-Channel)	✓	✓	—	✓ (G3 only)	—	—
ADV569	Digital Output Module for Compatible ST7 (64-Channel Output, Isolated, Common Minus Side Every 16-Channel)	✓	✓	—	✓ (G3 only)	—	—
<b>Communication Modules</b>							
ALR111	RS-232C Communication Module (2-Port, 1200 bps to 115.2 kbps)	✓	✓	✓(*2)	✓ (G3 only)	—	—
ALR121	RS-422/RS-485 Communication Module (2-Port, 1200 bps to 115.2 kbps)	✓	✓(*1)	✓(*3)	✓ (G3 only)	—	—
ALE111	Ethernet Communication Module (1-Port, 10 Mbps)	✓	✓	✓(*2)	✓ (G3 only)	—	—
ALF111	Foundation Fieldbus (FF-H1) Communication Module (4-Port, 31.25 kbps)	✓	✓	✓	✓ (G3 only)	✓	✓
ALP111	PROFIBUS-DPV1 Communication Module	✓	—	✓	—	—	—
<b>Bus Interface Module</b>							
EB401	ER Bus Interface Master Module	✓	—	✓	✓ (G3 only)	✓	✓
EC401	ESB Bus Coupler Module	✓ (AFV10□ only)	—	✓	✓ (G3 only)	—	—

T03E.EPS

✓: Available.

—: Not available.

\*1: Communication with YS Series controllers via an ALR121 using Model LFS2420 or LFS2421 communication package imposes a restriction of the data update cycle if the ALR is installed in a remote node.

\*2: A dual-redundant configuration can be created by means of software.

\*3: Neither Model LFS2420 nor LFS2421 package for communication with YS Series controllers supports a dual-redundant communication module configuration.

For detailed specifications of each I/O Module, refer to GS 33Q06Q40-31E, GS 33Q06Q45-31E, GS 33Q06Q46-31E, GS 33Q06Q47-31E, GS 33Q06Q48-31E.

Table Availability of I/O Modules to Be Installed in Node Units (Part 3)

Model name	Name	ANB10S ANB10D AFV10S AFV10D	ANR10S ANR10D	Availability for dual-redundant configuration	Temperature environment support, G3 support	Explosion protection		
						NI (Non-Incendive Product)	Type n	Intrinsic safety
—	<b>Analog I/O Modules with Built-In Barrier</b>							
ASI133	Analog Input Module (4 to 20 mA, 8-Channel, Isolated)	✓	✓	✓	✓	—	✓	✓
ASI533	Analog Output Module (4 to 20 mA, 8-Channel, Isolated)	✓	✓	✓	✓	—	✓	✓
AST143	TC/mV Input Module (TC: B, E, J, K, N, R, S, T / mV: -100 to 150 mV, -50 to 75 mV, 16-Channel, Isolated)	✓	✓	✓	✓	—	✓	✓
ASR133	RTD/POT Input Module (RTD: Pt50, Pt100, Pt200, Pt500, Pt1000, Ni100, Ni200, Ni120 / POT: 0 to 10 kΩ, 8-Channel, Isolated)	✓	✓	✓	✓	—	✓	✓
—	<b>Digital I/O Modules with Built-In Barrier</b>							
ASD143	Digital Input Module (16-Channel, NAMUR compatible, Isolated)	✓	✓	✓	✓	—	✓	✓
ASD533	Digital Output Module (8-Channel, U>12 V at I=40 mA, Isolated)	✓	✓	✓	✓	—	✓	✓

T10E.EPS

For detailed specifications of each I/O Module, refer to GS 33Q06Q60-31E.

When installing these apparatuses with intrinsically safe circuit, IM 33Y06K01-90E Explosion Protection of FIO Products should be referenced together with this GS.



● Terminal Blocks

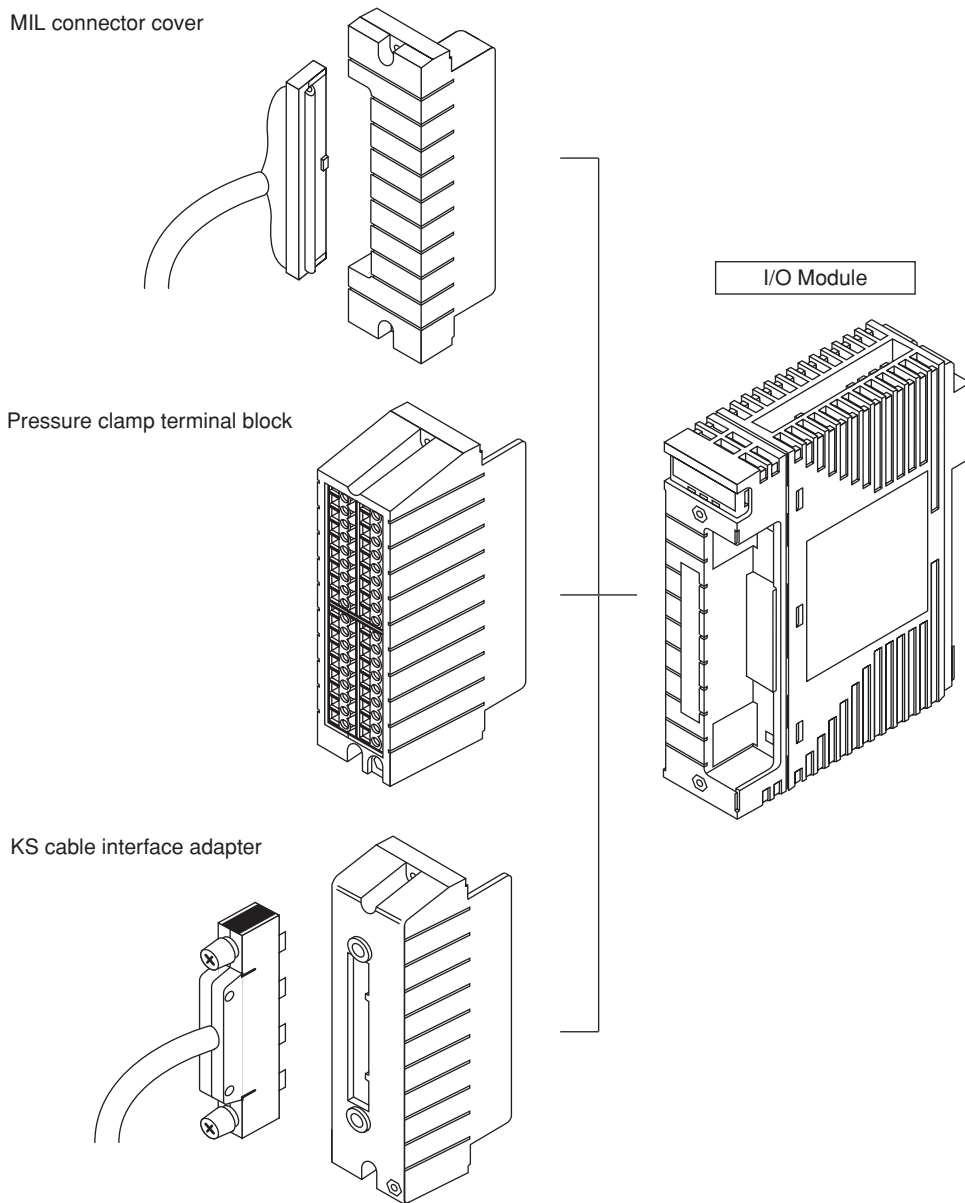
To wire between I/O Module and field devices, install a pressure clamp terminal or KS cable interface adapter on the I/O Module.

When a pressure clamp terminal is used, the I/O Module can be wired directly with the field devices. When the KS cable interface adapter is used, the I/O Module is wired with the field devices via terminal boards.

Two types of pressure clamp terminal blocks are available: single and dual-redundant types. Using the dual-redundant type, dual-redundant I/O Modules can be configured on the terminal block.

In addition, a MIL connector cable can be connected directly to an I/O Module without installing a terminal block to the I/O Module. The MIL connector cable are furnished by the customer. A cable connector cover (ACCC01) is provided in order to prevent the MIL connector cable from coming loose.

The table entitled “Combinations of I/O Modules and Terminal Blocks” lists connections among I/O Modules, terminal blocks and connector cables.



F04E.EPS

Table I/O Modules and Signal Connection Types (Part 1)

Model name	Name	No. of I/O channels per module	Signal connection		
			Pressure clamp terminal	Dedicated cable (*1)	MIL connector cable
—	<b>Analog I/O Modules</b>				
AAI141	Analog Input Module (4 to 20 mA, Non-Isolated)	16	✓	✓	✓
AAV141	Analog Input Module (1 to 5 V, Non-Isolated)	16	✓	✓	✓
AAV142	Analog Input Module (-10 to 10 V, Non-Isolated)	16	✓	✓	✓
AAI841	Analog I/O Module (4 to 20 mA Input, 4 to 20 mA Output, Non-Isolated)	8 input/ 8 output	✓	✓	✓
AAB841	Analog I/O Module (1 to 5 V Input, 4 to 20 mA Output, Non-Isolated)	8 input/ 8 output	✓	✓	✓
AAV542	Analog Output Module (-10 to 10 V, Non-Isolated)	16	✓	✓	✓
AAI143	Analog Input Module (4 to 20 mA, Isolated)	16	✓	✓	✓
AAI543	Analog Output Module (4 to 20 mA, Isolated)	16	✓	✓	✓
AAV144	Analog Input Module (-10 to 10V, 16-Channel, Isolated)	16	✓	✓	✓
AAV544	Analog Output Module (-10 to 10V, 16-Channel, Isolated)	16	✓	✓	✓
AAT141	TC/mV Input Module (TC: R, J, K, E, T, B, S, N; mV: -100 to 150 mV, Isolated)	16	✓	—	✓(*3)
AAR181	RTD Input Module (RTD: Pt100 Ω, Isolated)	12	✓	—	✓
AAI135	Analog Input Module (4 to 20 mA, Isolated Channels)	8	✓	✓	✓
AAI835	Analog I/O Module (4 to 20 mA, Isolated Channels)	4 input/ 4 output	✓	✓	✓
AAT145	TC/mV Input Module (TC: R, J, K, E, T, B, S, N; mV: -100 to 150 mV, Isolated Channels)	16	—	✓(*2)	—
AAR145	RTD/POT Input Module (RTD: Pt100 Ω; POT: 0 to 10 kΩ, Isolated Channels)	16	—	✓(*2)	—
AAP135	Pulse Input Module (Pulse Count, 0 to 10 kHz, Isolated Channels)	8	✓	✓	✓
AAP149	Pulse Input Module for compatible PM1 (16-Channel, Pulse Count, 0 to 6 kHz, Non-Isolated)	16	—	✓	—
AAP849	Pulse Input/Analog Output Module for compatible PAC (Pulse Count, 4 to 20 mA, 8-Channel Input/8-Channel Output, Non-Isolated)	8 input/ 8 output	—	✓	—

T04E.EPS

- ✓: Can be connected.  
 —: Cannot be connected.

\*1: Dedicated cable provided by Yokogawa that is used for connecting I/O Modules and terminal boards (etc.).

\*2: The KS cable can be connected directly with an I/O Module without the use of a terminal block.

\*3: When connecting a MIL connector cable, it can be used as mV Input Modules.

Table I/O Modules and Signal Connection Types (Part 2)

Model name	Name	No. of I/O channels per module	Signal connection		
			Pressure clamp terminal	Dedicated cable (*1)	MIL connector cable
—	<b>Digital I/O Modules</b>				
ADV151	Digital Input Module (24 V DC, Isolated)	32	✓	✓	✓
ADV551	Digital Output Module (24 V DC, Isolated)	32	✓	✓	✓
ADV141	Digital Input Module (100 to 120 V AC, Isolated)	16	✓	✓(*2)	—
ADV142	Digital Input Module (220 to 240 V AC, Isolated)	16	✓	✓(*2)	—
ADV157	Digital Input Module (24 V DC, Pressure Clamp Terminal Only, Isolated)	32	✓	—	—
ADV557	Digital Output Module (24 V DC, Pressure Clamp Terminal Only, Isolated)	32	✓	—	—
ADV161	Digital Input Module (24 V DC, Isolated)	64	—	✓(*2)	✓
ADV561	Digital Output Module (24 V DC, Isolated)	64	—	✓(*2)	✓
ADR541	Relay Output Module (24 to 110 V DC/100 to 240 V AC, Isolated)	16	✓	✓(*2)	—
ADV859	Digital I/O Module for Compatible ST2 (Isolated Channels)	16 input/ 16 output	—	✓(*2)	—
ADV159	Digital Input Module for Compatible ST3 (Isolated Channels)	32	—	✓(*2)	—
ADV559	Digital Output Module for Compatible ST4 (Isolated Channels)	32	—	✓(*2)	—
ADV869	Digital I/O Module for Compatible ST5 (Isolated, Common Minus Side Every 16-Channel)	32 input/ 32 output	—	✓(*2)	—
ADV169	Digital Input Module for Compatible ST6 (Isolated, Common Minus Side Every 16-Channel)	64	—	✓(*2)	—
ADV569	Digital Output Module for Compatible ST7 (Isolated, Common Minus Side Every 16-Channel)	64	—	✓(*2)	—
—	<b>Communication Modules</b>				
ALR111	RS-232C Communication Module (1200 bps to 115.2 kbps)	2 ports	—	✓ (D-sub 9-pin) (*2)	—
ALR121	RS-422/RS-485 Communication Module (1200 bps to 115.2 kbps)	2 ports	—	✓ (M4 terminal block 10-pole) (*2)	—
ALE111	Ethernet Communication Module (10 Mbps)	1 port	—	✓ (RJ-45)(*2)	—
ALF111	Foundation Fieldbus (FF-H1) Communication Module (31.25 kbps)	4 ports	✓	✓(*2)	—
ALP111	PROFIBUS-DPV1 Communication Module	1 port	—	✓(*2)	—

T05E.EPS

- ✓: Can be connected.
- : Cannot be connected.

- \*1: Dedicated cable provided by Yokogawa that is used for connecting I/O Modules and terminal boards (etc.).
- \*2: The KS cable can be connected directly to an I/O Module without the use of a terminal block.

Table I/O Modules and Signal Connection Types (Part 3)

Model name	Name	No. of I/O channels per module	Signal connection		
			Pressure clamp terminal	Dedicated cable	MIL connector cable
—	<b>Analog I/O Modules with Built-In Barrier</b>				
ASI133	Analog Input Module (4 to 20 mA, Isolated)	8	✓	—	—
ASI533	Analog Output Module (4 to 20 mA, Isolated)	8	✓	—	—
AST143	TC/mV Input Module (TC: B, E, J, K, N, R, S, T / mV: -100 to 150 mV, -50 to 75 mV, Isolated)	16	✓	—	—
ASR133	RTD/POT Input Module (RTD: Pt50, Pt100, Pt200, Pt500, Pt1000, Ni100, Ni200, Ni120 / POT: 0 to 10 kΩ, Isolated)	8	✓	—	—
—	<b>Digital I/O Modules with Built-In Barrier</b>				
ASD143	Digital Input Module (NAMUR compatible, Isolated)	16	✓	—	—
ASD533	Digital Output Module (U>12 V at I=45 mA, Isolated)	8	✓	—	—

T11E.EPS

- ✓: Can be connected.
- : Cannot be connected.

Table Combinations of I/O Modules and Terminal Blocks (Part 1)

Model name	Name	Form of connection				
		Pressure clamp terminal		Terminal board connection		
		Single	Dual-redundant	Adapter	Cable	Terminal board
—	<b>Analog I/O Modules</b>					
AAI141	Analog Input Module (4 to 20 mA, 16-Channel, Non-Isolated)	ATA4S	ATA4D	ATK4A	KS1	AEA4D
AAV141	Analog Input Module (1 to 5 V, 16-Channel, Non-Isolated)	ATA4S	ATA4D	ATK4A	KS1	AEA4D
					KS2	MUB, TE16, MHC
AAV142	Analog Input Module (-10 V to 10 V, 16-Channel, Non-Isolated)	ATA4S	ATA4D	ATK4A	KS1	AEA4D
AAI841	Analog I/O Module (4 to 20 mA Input, 4 to 20 mA Output, 8-Channel Input/8-Channel Output, Non-Isolated)	ATA4S	ATA4D	ATK4A	KS1	AEA4D
AAB841	Analog I/O Module (1 to 5 V Input, 4 to 20 mA Output, 8-Channel Input/8-Channel Output, Non-Isolated)	ATA4S	ATA4D	ATK4A	KS1	AEA4D
				ATM4A	KS1	MCM, MHM
				ATV4A	KS2	MUB, TE16, MHC
AAV542	Analog Output Module (-10 V to 10 V, 16-Channel, Non-Isolated)	ATA4S	ATA4D	ATK4A	KS1	AEA4D
					KS2	MUB, TE16, MHC
AAI143	Analog Input Module (4 to 20 mA, 16-Channel, Isolated)	ATA4S	ATA4D	ATK4A	KS1	AEA4D
AAI543	Analog Output Module (4 to 20 mA, 16-Channel, Isolated)	ATA4S	ATA4D	ATK4A	KS1	AEA4D
AAV144	Analog Input Module (-10 to 10V, 16-Channel, Isolated)	ATA4S	ATA4D	ATK4A	KS1	AEA4D
AAV544	Analog Output Module (-10 to 10V, 16-Channel, Isolated)	ATA4S	ATA4D	ATK4A	KS1	AEA4D
AAT141	TC/mV Input Module (TC: R, J, K, E, T, B, S, N/mV: -100 to 150 mV, 16-Channel, Isolated)	ATT4S	ATT4D	—	—	—
AAR181	RTD Input Module (RTD: Pt100 Ω, 12-Channel, Isolated)	ATR8S	ATR8D	—	—	—
AAI135	Analog Input Module (4 to 20 mA, 8-Channel, Isolated Channels)	ATI3S	ATI3D	ATK4A	KS1	AEA4D(*2)
				ATI3A	KS1	AEA3D(*3)
AAI835	Analog I/O Module (4 to 20 mA, 4-Channel Input/4-Channel Output, Isolated Channels)	ATI3S	ATI3D	ATK4A	KS1	AEA4D(*2)
				ATB3A	KS1	AEA3D(*3)
AAT145	TC/mV Input Module (TC: R, J, K, E, T, B, S, N/mV: -100 to 150 mV, 16-Channel, Isolated Channels)	—	—	(*1)	KS1	AET4D, MTC, TETC
AAR145	RTD/POT Input Module (RTD: Pt100 Ω/POT: 0 to 10 kΩ, 16-Channel, Isolated Channels)	—	—	(*1)	AKB335	AER4D
					KS8	MRT, TERT
AAP135	Pulse Input Module (8-Channel, Pulse Count, 0 to 10 kHz, Isolated Channels)	ATI3S	ATI3D	ATK4A	KS1	AEA4D(*2)
				ATI3A	KS1	AEA3D(*3)
AAP149	Pulse Input Module for compatible PM1 (16-Channel, Pulse Count, 0 to 6 kHz, Non-Isolated)	—	—	(*1)	KS2	MHC
AAP849	Pulse Input/Analog Output Module for compatible PAC (Pulse Count, 4 to 20 mA, 8-Channel Input/8-Channel Output, Non-Isolated)	—	—	(*1)	KS1	MCM, MHM

T06E.EPS

- \*1: Can be connected directly to an I/O Module without the use of a terminal block.
- \*2: For the combination of AAI135/AAI835/AAP135; ATK4A; AEA4D, either 2-Wire Transmitter 2-Wire Input (transmitter power supply type) or 4-Wire Transmitter 2-Wire Input (without transmitter power supply) can be selected for each input channel.
- \*3: For the combination of AAI135/AAP135; ATI3A; AEA3D and the combination of AAI835; ATB3A; AEA3D, all input channels are 2-Wire Transmitter 2-Wire Input (transmitter power supply type).

Note: One dual-redundant terminal block is used to connect two adjacent I/O Modules.  
 Note: A cable connector cover (ACCC01) is provided for connection via a MIL connector.

Table Combinations of I/O Modules and Terminal Blocks (Part 2)

Model name	Name	Form of connection				
		Pressure clamp terminal		Terminal board connection		
		Single	Dual-redundant	Adapter	Cable	Terminal board
—	<b>Digital I/O Modules</b>					
ADV151	Digital Input Module (32-Channel, 24 V DC)	ATB5S	ATB5D	ATD5A	AKB331	AED5D
ADV551	Digital Output Module (32-Channel, 24 V DC)	ATD5S	ATD5D	ATD5A	AKB331	AED5D
ADV141	Digital Input Module (16-Channel, 100 V AC)	ATC4S	—	—(*1)	AKB332	AEC4D
ADV142	Digital Input Module (16-Channel, 220 V AC)	ATC4S	—	—(*1)	AKB333	AEC4D
ADV157	Digital Input Module (32-Channel, 24 V DC, Pressure Clamp Terminal Support Only)	ATC5S	—	—	—	—
ADV557	Digital Output Module (32-Channel, 24 V DC, Pressure Clamp Terminal Support Only)	ATC5S	—	—	—	—
ADV161	Digital Input Module (64-Channel, 24 V DC)	—	—	—(*1)	AKB337	AED5D
ADV561	Digital Output Module (64-Channel, 24 V DC)	—	—	—(*1)	AKB337	AED5D
ADR541	Relay Output Module (16-Channel, 24 to 110 V DC/100 to 240 V AC)	ATC4S	—	—(*1)	AKB334	AEC4D
—	<b>Digital I/O Modules (ST Compatible)</b>					
ADV859	Digital I/O Module for Compatible ST2 (16-Channel Input/16-Channel Output, Isolated Channels)	—	—	—(*1)	KS2	MUB, U2B, EUB, MRI, MRO
ADV159	Digital Input Module for Compatible ST3 (32-Channel Input, Isolated Channels)	—	—	—(*1)	KS2	MUB, U2B, EUB, MRI
ADV559	Digital Output Module for Compatible ST4 (32-Channel Output, Isolated Channels)	—	—	—(*1)	KS2	MUB, U2B, EUB, MRO
ADV869	Digital I/O Module for Compatible ST5 (32-Channel Input/32-Channel Output, Common Minus Side Every 16-Channel)	—	—	—(*1)	KS9	MUD, EUD, MRI, MRO
ADV169	Digital Input Module for Compatible ST6 (64-Channel Input, Common Minus Side Every 16-Channel)	—	—	—(*1)	KS9	MUD, EUD, MRI
ADV569	Digital Output Module for Compatible ST7 (64-Channel Output, Common Minus Side Every 16-Channel)	—	—	—(*1)	KS9	MUD, EUD, MRO
—	<b>Communication Modules</b>					
ALR111	RS-232C Communication Module (2-Port, 1200 bps to 115.2 kbps)	—	—	—	—	—
ALR121	RS-422/RS-485 Communication Module (2-Port, 1200 bps to 115.2 kbps)	—	—	—	—	—
ALE111	Ethernet Communication Module (1-Port, 10 Mbps)	—	—	—	—	—
ALF111	Foundation Fieldbus (FF-H1) Communication Module (4-Port, 31.25 kbps)	ATF9S	ATF9S (*2)	—(*1)	AKB336	AEF9D
ALP111	PROFIBUS-DPV1 Communication Module	—	—	—	—	—

T07E.EPS

\*1: The cable can be connected directly to the I/O Module without an adapter.

\*2: Dual-redundant configuration is possible by external wiring between two ATF9Ss.

Note: One dual-redundant terminal block is used to connect two adjacent I/O Modules.

Note: A cable connector cover (ACCC01) is provided for connecting via a MIL connector.

**Table Combinations of I/O Modules and Terminal Blocks (Part 3)**

Model name	Name	Form of connection				
		Pressure clamp terminal		Terminal board connection		
		Single	Dual-redundant	Adapter	Cable	Terminal board
—	<b>Analog I/O Modules with Built-In Barrier</b>					
ASI133	Analog Input Module (4 to 20 mA, 8-Channel, Isolated)	ATSA3S	ATSA3D	—	—	—
ASI533	Analog Output Module (4 to 20 mA, 8-Channel, Isolated)	ATSS3S	ATSS3D	—	—	—
AST143	TC/mV Input Module (TC: B, E, J, K, N, R, S, T / mV: -100 to 150 mV, -50 to 75 mV, 16-Channel, Isolated)	ATST4S	ATST4D	—	—	—
ASR133	RTD/POT Input Module (RTD: Pt50, Pt100, Pt200, Pt500, Pt1000, Ni100, Ni200, Ni120 / POT: 0 to 10 kΩ, 8-Channel, Isolated)	ATSR3S	ATSR3D	—	—	—
—	<b>Digital I/O Modules with Built-In Barrier</b>					
ASD143	Digital Input Module (16-Channel, NAMUR compatible, Isolated)	ATSB4S	ATSB4D	—	—	—
ASD533	Digital Output Module (8-Channel, U>12 V at I=40 mA, Isolated)	ATSD3S	ATSD3D	—	—	—

T14E.EPS

**Table Combinations of I/O Modules and Relay Blocks**

Model name	Module name	Form of connection		
		Adapter	Cable	Relay board
—	<b>Digital I/O Modules</b>			
ADV151	Digital Input Module (32-Channel, 24 V DC)	ATD5A	AKB331	ARM15A ARM15B ARS15M
ADV551	Analog Output Module (32-Channel, 24 V DC)	ATD5A	AKB331	ARM55D ARM55W ARM55C ARS55M
ADV161	Digital Input Module (64-Channel, 24 V DC)	— (*1)	AKB337	ARM15A ARS15B ARS15M
ADV561	Digital Input Module (64-Channel, 24 V DC)	— (*1)	AKB337	ARM55D ARM55W ARM55C ARS55M

\*1: The cable can be connected directly to the I/O module without an adapter.

T14E.EPS

## ● Current Consumption of I/O Modules

Table Current Consumption of I/O Modules (Part 1)

Model name	Name	Max. current consumption 5 V DC (mA)	Max. current consumption 24 V DC (mA)
—	<b>Bus Interface Module</b>		
EB401	ER Bus Interface Master Module	700	—
EC401	ESB Bus Coupler Module	500	—
—	<b>Analog I/O Modules</b>		
AAI141	Analog Input Module (4 to 20 mA, 16-Channel, Non-Isolated)	310	450
AAV141	Analog Input Module (1 to 5 V, 16-Channel, Non-Isolated)	350	—
AAV142	Analog Input Module (-10 to 10 V, 16-Channel, Non-Isolated)	350	—
AAI841	Analog I/O Module (4 to 20 mA, 8-Channel Input/8-Channel Output, Non-Isolated)	310	500
AAB841	Analog I/O Module (1 to 5 V Input, 4 to 20 mA Output, 8-Channel Input/8-Channel Output, Non-Isolated)	310	250
AAV542	Analog Output Module (-10 to 10 V, 16-Channel, Non-Isolated)	450	—
AAI143	Analog Input Module (4 to 20 mA, 16-Channel, Isolated)	230	540
AAI543	Analog Output Module (4 to 20 mA, 16-Channel, Isolated)	230	540
AAV144	Analog Input Module (-10 to 10V, 16-Channel, Isolated)	500	—
AAV544	Analog Output Module (-10 to 10V, 16-Channel, Isolated)	860	—
AAT141	TC/mV Input Module (TC: R, J, K, E, T, B, S, N/mV: -100 to 150 mV, 16-Channel, Isolated)	450	—
AAR181	RTD Input Module (RTD: Pt100 Ω, 12-Channel, Isolated)	450	—
AAI135	Analog Input Module (4 to 20 mA, 8-Channel, Isolated Channels)	360	450
AAI835	Analog I/O Module (4 to 20 mA, 4-Channel Input/4-Channel Output, Isolated Channels)	360	450
AAT145	TC/mV Input Module (TC: R, J, K, E, T, B, S, N/mV: -100 to 150 mV, 16-Channel, Isolated Channels)	350	—
AAR145	RTD/POT Input Module (RTD: Pt100 Ω/POT: 0 to 10 kΩ, 16-Channel, Isolated Channels)	350	—
AAP135	Pulse Input Module (8-Channel, Pulse Count, 0 to 10 kHz, Isolated Channels)	300	400
AAP149	Pulse Input Module for compatible PM1 (16-Channel, Pulse Count, 0 to 6 kHz, Non-Isolated)	400	—
AAP849	Pulse Input/Analog Output Module for compatible PAC (Pulse Count, 4 to 20 mA, 8-Channel Input/8-Channel Output, Non-Isolated)	310	250

T08E.EPS



Table Current Consumption of I/O Modules (Part 2)

Model name	Name	Max. Current consumption 5 V DC (mA)	Max. current consumption 24 V DC (mA)
—	<b>Digital I/O Module</b>		
ADV151	Digital Input Module (32-Channel, 24 V DC, Isolated)	500	—
ADV551	Digital Output Module (32-Channel, 24 V DC, Isolated)	700	—
ADV141	Digital Input Module (16-Channel, 100 to 120 V AC, Isolated)	500	—
ADV142	Digital Input Module (16-Channel, 220 to 240 V AC, Isolated)	500	—
ADV157	Digital Input Module (32-Channel, 24 V DC, Pressure Clamp Terminal Support Only, Isolated)	350	—
ADV557	Digital Output Module (32-Channel, 24 V DC, Pressure Clamp Terminal Support Only, Isolated)	550	—
ADV161	Digital Input Module (64-Channel, 24 V DC, Isolated)	550	—
ADV561	Digital Output Module (64-Channel, 24 V DC, Isolated)	780	—
ADR541	Relay Output Module (16-Channel, 24 to 110 V DC/100 to 240 V AC, Isolated)	780	—
ADV859	Digital I/O Module for Compatible ST2 (16-Channel Input/16-Channel Output, Isolated Channels)	450	—
ADV159	Digital Input Module for Compatible ST3 (32-Channel Input, Isolated Channels)	330	—
ADV559	Digital Output Module for Compatible ST4 (32-Channel Output, Isolated Channels)	570	—
ADV869	Digital I/O Module for Compatible ST5 (32-Channel Input/32-Channel Output, Common Minus Side Every 16-Channel)	800	—
ADV169	Digital Input Module for Compatible ST6 (64-Channel Input, Common Minus Side Every 16-Channel)	800	—
ADV569	Digital Output Module for Compatible ST7 (64-Channel Output, Common Minus Side Every 16-Channel)	800	—
—	<b>Communication Modules</b>		
ALR111	RS-232C Communication Module (2-Port, 1200 bps to 115.2 kbps)	500	—
ALR121	RS-422/RS-485 Communication Module (2-Port, 1200 bps to 115.2 kbps)	500	—
ALE111	Ethernet Communication Module (1-Port, 10 Mbps)	500	—
ALF111	Foundation Fieldbus (FF-H1) Communication Module (4-Port, 31.25 kbps)	500	—
ALP111	PROFIBUS-DPV1 Communication Module	700	—
—	<b>I/O Modules with Built-In Barrier</b>		
ASI133	Analog Input Module (4 to 20 mA, 8-Channel, Isolated)	150	450
ASI533	Analog Output Module (4 to 20 mA, 8-Channel, Isolated)	150	350
AST143	TC/mV Input Module (TC: B, E, J, K, N, R, S, T / mV: -100 to 150 mV, -50 to 75 mV, 16-Channel, Isolated)	150	80
ASR133	RTD/POT Input Module (RTD: Pt50, Pt100, Pt200, Pt500, Pt1000, Ni100, Ni200, Ni120 / POT: 0 to 10 k $\Omega$ , 8-Channel, Isolated)	150	60
ASD143	Digital Input Module (16-Channel, NAMUR compatible, Isolated)	150	110
ASD533	Digital Output Module (8-Channel, U>12 V at I=40 mA, Isolated)	150	500

T09E.EPS

## LIMITATIONS AND PRECAUTIONS FOR INSTALLATION

### ● Limitations of Installation of Modules Imposed by Capacity of Power Supply to Transmitters

Installation of modules in any one of ANB10S, ANB10D, ANR10S, ANR10D nodes and Field Control Unit for FIO (AFV10S, AFV10D) imposes a limitation on the total number of modules considering the power supply.

ANB10□, ANR10□:

$$\sum (\text{factor B for each module to be installed}) \leq 100$$

AFV10S:

$$\sum (\text{factor A for each module to be installed}) + \sum (\text{factor B for each module to be installed}) \leq 85$$

AFV10D:

$$\sum (\text{factor A for each module to be installed}) \leq 20 \text{ and}$$

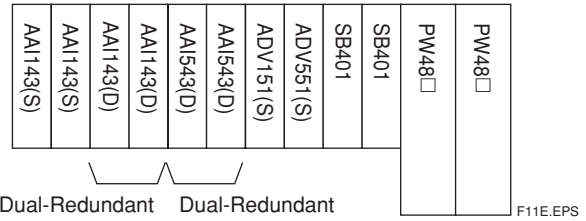
$$\sum (\text{factor A for each module to be installed}) + \sum (\text{factor B for each module to be installed}) \leq 65$$

Table Factor for Each Module

	Model	Factor	
		Single	Each Pair in Dual-redundant Configuration
A	ADV869 (ST5)	3	-
	ADV169 (ST6)	3	-
	ADV569 (ST7)	3	-
	AAV544	2	4
	EB401	1	2
B	AAI841	16	24
	AAB841(MAC2/VM2)	9	17
	AAI141	16	16
	AAI143	20	24
	AAI543	20	24
	AAP135	16	16
	AAP849	9	17
	AAI135	12	12
	AAI835	12	19
	ASI133	22	33
	ASI533	17	26
	AST143	5	10
	ASR133	3	6
	ASD143	6	12
	ASD533	25	38
	Others	0	0

T15E.EPS

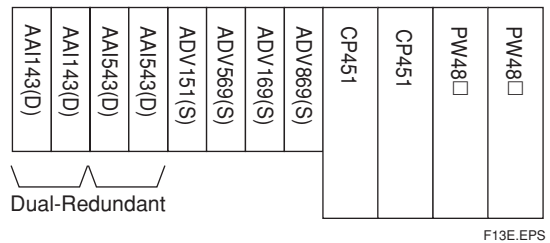
Example: When installing modules in an ANB10D as follows where “(S)” indicates Single and “(D)” indicates Dual-Redundant.



The total sum of the factors for this installation plan is less than 100 as shown below, hence, the acceptance of this plan is ensured:

$$\sum (\text{factor for each module to be installed}) = 20 + 20 + 24 + 24 + 0 + 0 = 88 < 100$$

Example: When installing modules in an AFV10D as follows.



$$\sum (\text{factor A for each module to be installed}) + (\text{factor B for each module to be installed}) = (3 + 3 + 3) + (24 + 24 + 0) = 9 + 48 = 57 < 65$$

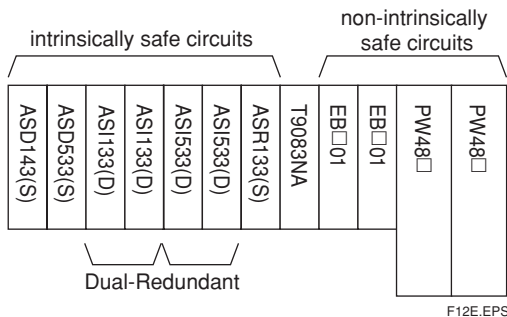
**● Restriction on Installation of Modules with Built-in Barrier**

Please keep a distance of 50 mm or more between the intrinsically safe area and the non-intrinsically safe area.

Modules with built-in barriers should be installed in an area separate from the area of other modules in one node unit. In case of AN□10□, an insulating partition (Part No. T9083NA) must be installed between the area of Modules with Built-in Barrier and the area of other Modules.

In case of AFV10□, an insulating partition kit (Part No. T9083ND) must be installed to keep a distance between the intrinsically safe area and the non-intrinsically safe area.

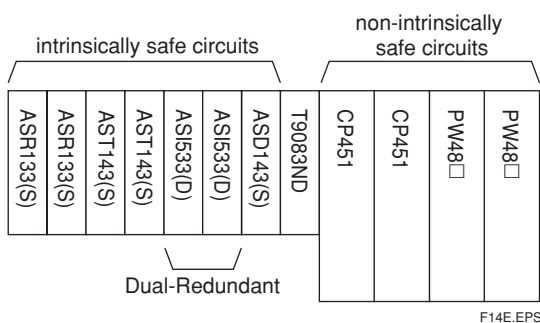
Example: When isolating the two areas in an AN□10D as follows where “(S)” indicates Single and “(D)” indicates Dual-Redundant.



The total sum of the factors for this installation plan is less than 100 as shown below, hence, the acceptance of this plan is ensured:

$$\sum (\text{factor for each module to be installed}) = 6 + 25 + 33 + 26 + 3 = 93 < 100$$

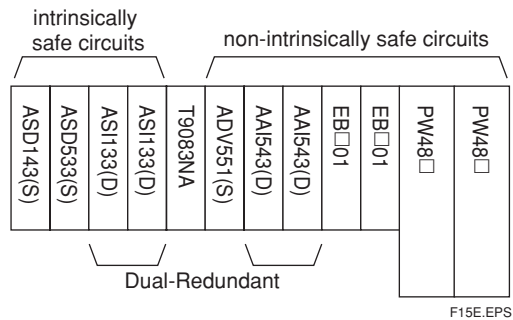
Example: When installing modules in an AFV10D as follows.



The total sum of the factors for this installation plan is less than 65 as shown below, hence, the acceptance of this plan is ensured:

$$\sum (\text{factor module to be installed}) = 3 + 3 + 5 + 5 + 26 + 6 = 48 < 65$$

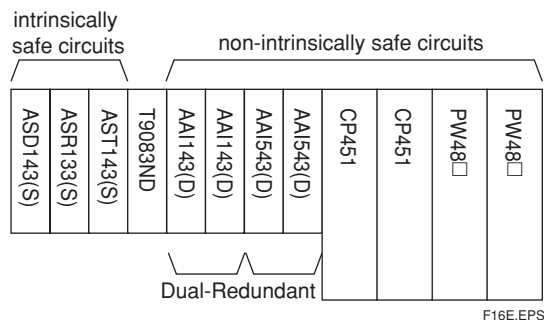
Example: When installing modules in an AN□10D as follows where “(S)” indicates Single and “(D)” indicates Dual-Redundant.



The total sum of the factors for this installation plan is less than 100 as shown below, hence, the acceptance of this plan is ensured:

$$\sum (\text{factor for each module to be installed}) = 6 + 25 + 33 + 0 + 24 = 88 < 100$$

Example: When installing modules in an AFV10D as follows.



The total sum of the factors for this installation plan is less than 65 as shown below, hence, the acceptance of this plan is ensured:

$$\sum (\text{factor module to be installed}) = 6 + 3 + 5 + 24 + 24 = 62 < 65$$

● **Limitations of Installing the ALR111, ALR121, ALE111, ALP111 and ALF111**

**Number of ALR111, ALR121, ALE111, and ALP111 modules per FCS**

16 max. (\*1) (8 pairs for dual-redundant operation) per FCS

**Number of ALF111 modules per FCS**

32 max. (\*1) (16 pairs for dual-redundant operation) per FCS

**Number of ALR111, ALR121, ALE111, and ALF111 modules per ER bus train**

When installing on ER bus node units:  
8 max. per ER bus train

\*1: When not using Application Capacity Expansion Package, the maximum total number is 8/FCS. For details, refer to GS 33P03K10-31E "Control Function for Basic Field Control Unit (for FIO, for Vnet/IP)."

● **EB401**

When using an EB401 as a single, install it in an odd slot and leave the immediate right slot empty.

● **EC401**

When using an EC401 as a Dual, install them slot 7th and 8th.

When using it as a single, install it slot 7th and leave the immediate right slot empty.

● **Limitations of Installation under the Ambient Operating Temperature Conditions**

When the remote node (-20 °C to 70 °C - optional temperature environment) is to be used under the temperature environment (60 to 70 °C), please follow the restrictions below:

- Max. number of installable IOM: Up to 4 modules can be installed per node.
- Make an empty slot (one or more) between EB501 and IOM. When installing modules with built-in barriers, insulating partition (Part No. T9083NA) must be installed in slot No. 8.
- When installing IOM, make an empty slot (one or more) between IOM and IOM.  
When installing duplexed IOM, make an empty slot (at least two slots) for each duplexed IOM.
- Up to 8 relay output modules (ADR541) can be used.
- The external load resistance of output channel must be 200 Ω or more when using current IOM (AAI841, AAI835 or AAI543).

Make an empty slot (one or more) between EB501 and IOM

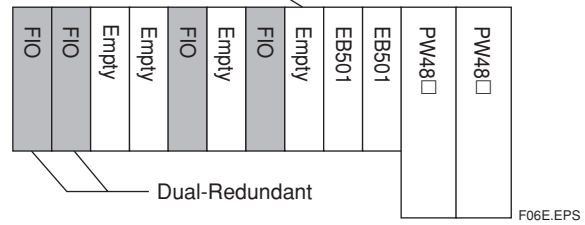


Figure IOM Installation in a Remote Node

Note: When a module such as AAP149, ADV161, ADV561, ADV859, ADV159, ADV559, ADV869, ADV169 and ADV569 is installed in a remote node, the ambient temperature should be 0 to 50 °C.

**Specifications for installing in a cabinet**

- When a FAN is located on top of cabinet, make sure the IOM installing place is 3 units (unit: 44.45 mm) away from the FAN place.
- Do not install an AAT141 next to either the SB401 or EB501 bus interface modules.
- The installable modules next to AAT141 are as follows.  
When installing other than following IOM, leave at least one slot empty on both sides.  
Installable modules: AAT141, AAT145, AAR181, AAR145, AAV141, AAV142, AAV144, AAV542

**Field wiring**

Nominal conductor cross-sectional area of this module is 1.25mm<sup>2</sup> or less. Connect to from the CH1 of terminal.

Note: The reference junction compensation accuracy is for when the temperature environment is in stability condition. If the temperature environment is varied, accuracy error may occur until the temperature becomes stability condition.

● **Limitations of Installation for AAT145 (the combination of Thermocouple input and Terminal Board)**

To keep the reference junction compensation accuracy (GS 33Q06Q40-31E), make sure to meet the following conditions. The terminal board should not be affected by radiated heat.

**Specifications for terminal board only**

Install any heat sources in the above of a terminal board or terminal board wiring. Provide a heat shield when installing heat sources in the side or below of a terminal board.

Note: The reference junction compensation accuracy is for when the temperature environment is in stability condition. If the temperature environment is varied, accuracy error may occur until the temperature becomes stability condition.

● **Limitations of Installation for AST143 (the combination of Thermocouple input and Pressure clamp terminal)**

To keep the reference junction compensation accuracy (GS 33Q06Q60-31E), make sure to meet the following conditions. The pressure clamp terminal should not be affected by radiated heat.

- Do not install a heat-radiating unit beneath the AST143 installed node.
- Do not install AST143 in the place where airflow affects directly.
- The installable modules in the next to AST143 is AST143 or ASR133. When installing other than AST143 or ASR133, make an empty slot (one or more) in each side.
- Do not install cooling near the AST143 installed node. When a FAN is located above node, make sure the IOM installing place is 3 units (unit: 44.45 mm) away from the FAN place.

**Field wiring**

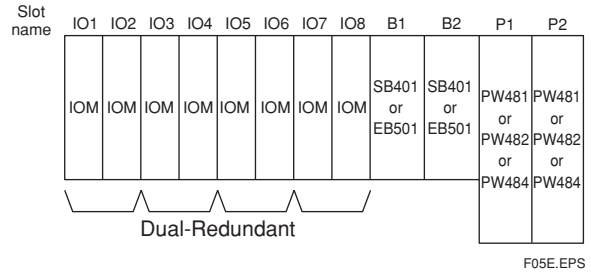
Nominal conductor cross-sectional area of this module is 1.25mm<sup>2</sup> or less. Connect to from the CH1 of terminal.

Note: The reference junction compensation accuracy is for when the temperature environment is in stability condition. If the temperature environment is varied, accuracy error may occur until the temperature becomes stability condition.

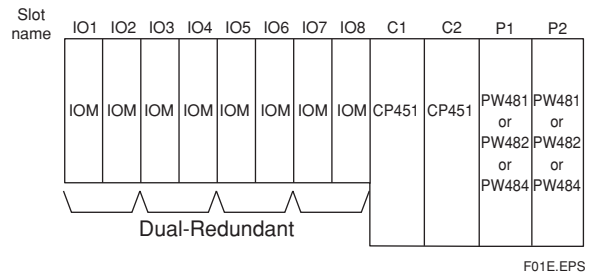
● **Installation to Make I/O Modules Dual-Redundant**

To make I/O Modules dual-redundant, install the I/O Modules in slots numbered IO1-IO2, IO3-IO4, IO5-IO6 and/or IO7-IO8, as shown in the figure below.

**Node Unit**



**Compact Field Control Unit (for FIO)**



● **Protection of Empty Slots**

When I/O Modules are not installed, be sure to use a dummy cover (ADCV01) to protect the empty slots.

■ **TRADEMARK**

- CENTUM and Vnet/IP are registered trademarks of Yokogawa Electric Corporation.
- Ethernet is registered trademark of XEROX Corporation.
- Other product and company names appearing in this document are trademarks or registered trademarks of their respective holders.