

## Cooling fans

The lifespan of the cooling fans of the drive depends on the running time, ambient temperature and dust concentration. See the firmware manual for the actual signal which indicates the running time of the cooling fan. Reset the running time signal after fan replacement.

Replacement fans are available from ABB. Do not use other than ABB specified spare parts.

### ■ Replacing the module cooling fans

#### Replacing the R1i and R2i module cooling fan

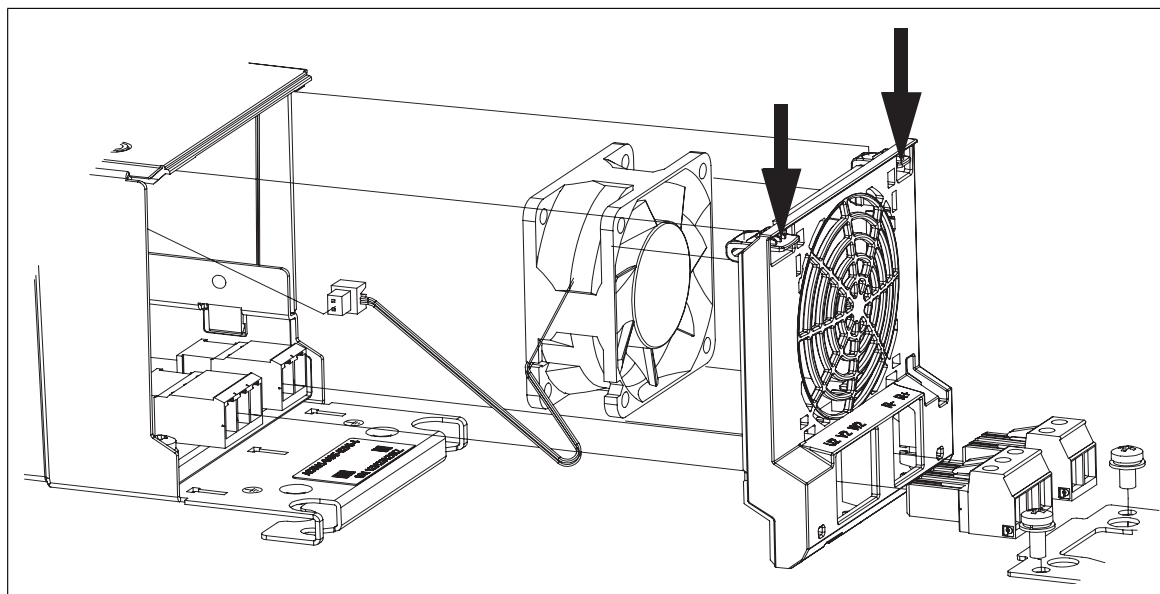


#### WARNING!

Read the safety instructions given in *Safety instructions for ACS880 multidrive cabinets and modules* (3AUA0000102301 [English]). If you ignore them, injury or death, or damage to the equipment can occur.

1. Stop the drive and do the steps in section [Electrical safety precautions \(page 161\)](#) before you start the work.
2. Detach the power cable clamp plate and terminal blocks.
3. Release the retaining clips (arrowed) carefully using a screwdriver.
4. Pull the fan holder out.
5. Disconnect the fan cable.
6. Carefully bend the clips on the fan holder to free the fan.
7. Install new fan in reverse order.

**Note:** The airflow direction is bottom-to-top. Install the fan so that the arrow on it points up.



In the drawing, the direction of airflow is from right to left.

## Replacing the R3i and R4i module cooling fan

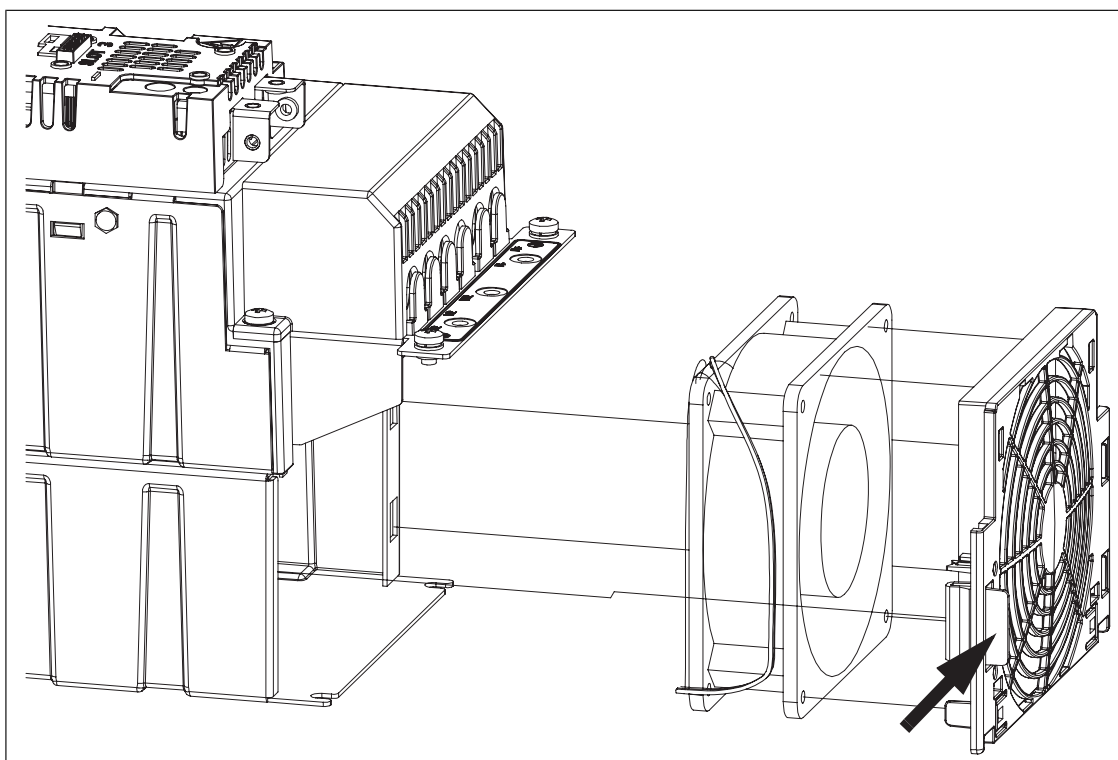


### WARNING!

Read the safety instructions given in *Safety instructions for ACS880 multidrive cabinets and modules* (3AUA0000102301 [English]). If you ignore them, injury or death, or damage to the equipment can occur.

1. Stop the drive and do the steps in section *Electrical safety precautions (page 161)* before you start the work.
2. To remove the fan, release the retaining clip (arrowed) carefully using a screwdriver.
3. Pull the fan holder out.
4. Disconnect the fan cable.
5. Carefully bend the clips on the fan holder to free the fan.
6. Install new fan in reverse order.

**Note:** The airflow direction is bottom-to-top. Install the fan so that the airflow arrow points up.



In the picture direction of airflow is from right to left.

## Replacing the R5i module main cooling fan

---



### WARNING!

Read the safety instructions given in *Safety instructions for ACS880 multidrive cabinets and modules* (3AUA0000102301 [English]). If you ignore them, injury or death, or damage to the equipment can occur.

---

1. Stop the drive and do the steps in section [Electrical safety precautions \(page 161\)](#) before you start the work.
2. Disconnect the drive from the power line. Lock the main disconnecting device and ensure by measuring that there is no voltage.
3. Lift the fan mounting plate by the front edge.
4. Unplug the power supply wires.
5. Lift the fan assembly off.
6. Install the new fan assembly in reverse order. Make sure that the fan blows upwards.



## Replacing the R5i module auxiliary cooling fan

Frame R5i modules have an auxiliary fan located at the top front of the module.

---



### WARNING!

Read the safety instructions given in *Safety instructions for ACS880 multidrive cabinets and modules* (3AUA0000102301 [English]). If you ignore them, injury or death, or damage to the equipment can occur.

---

1. Stop the drive and do the steps in section [Electrical safety precautions \(page 161\)](#) before you start the work.
  2. Unplug the fan from the control unit. Make note of the connector the plug is connected to.
-